

BRUNNER FIREPLACES



## Architektur 38/86 k

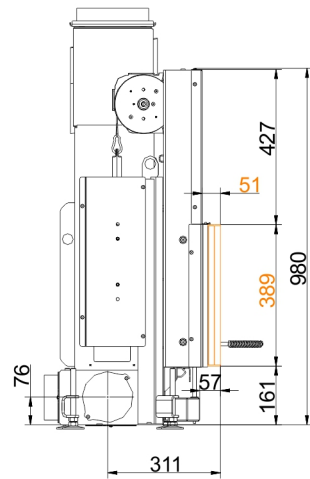
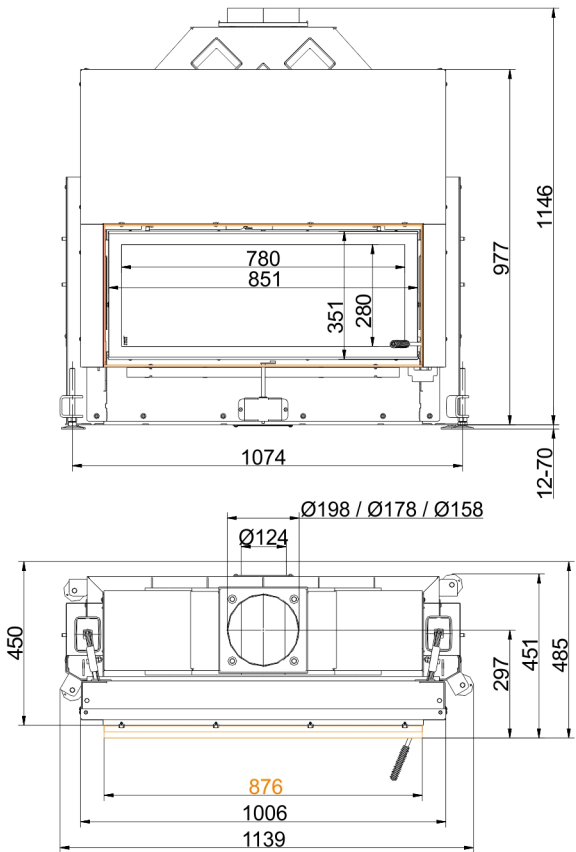
lifting door (easy-lift)

State: 2018-01-23

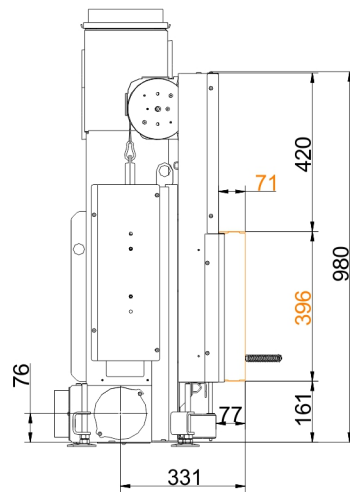
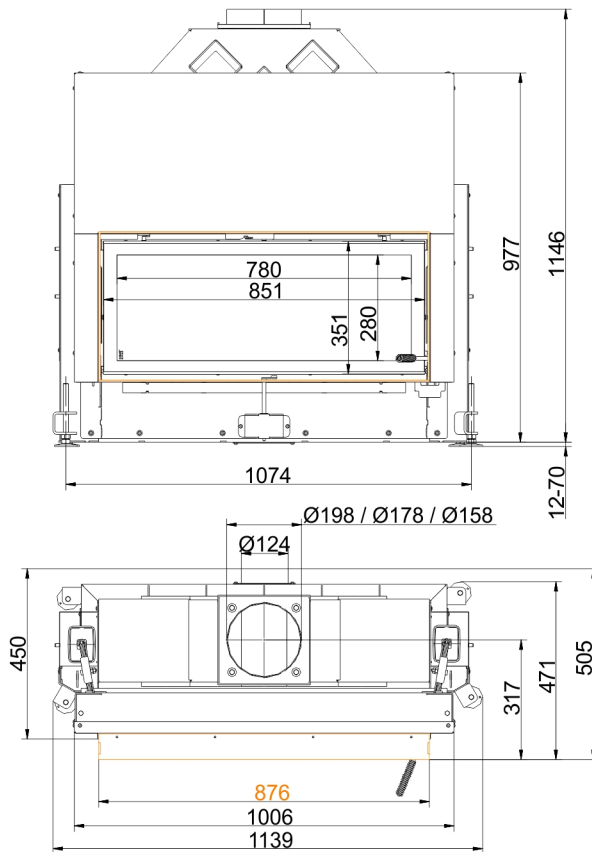


**BRUNNER**<sup>®</sup>  
*made in germany.*

**Dimension sheets - Architektur 38/86 k lifting door (easy-lift)**

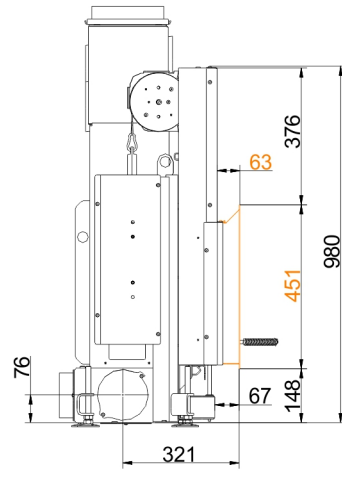
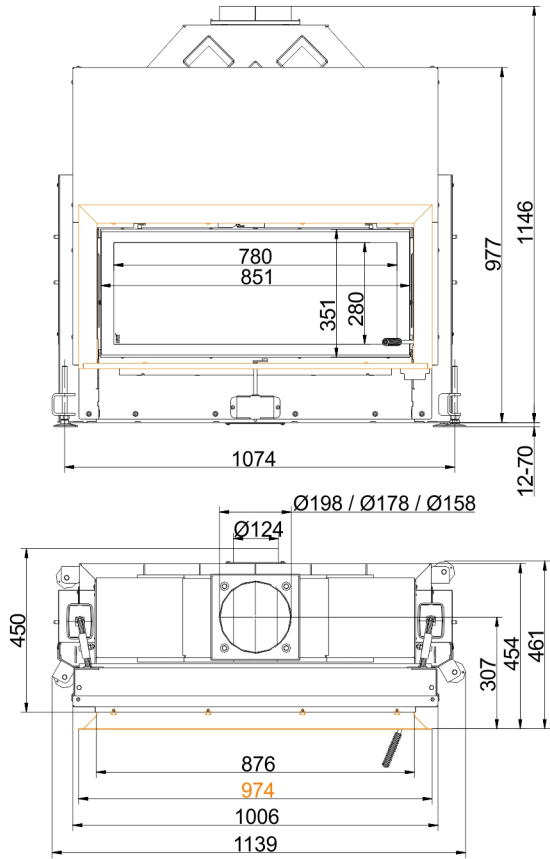


... with mounting frame 50 mm

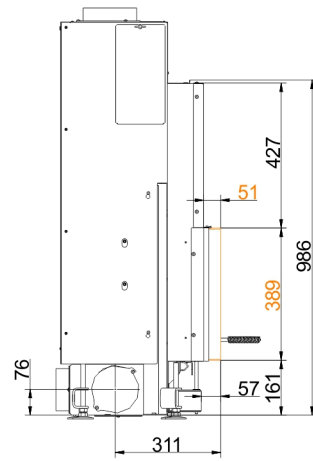
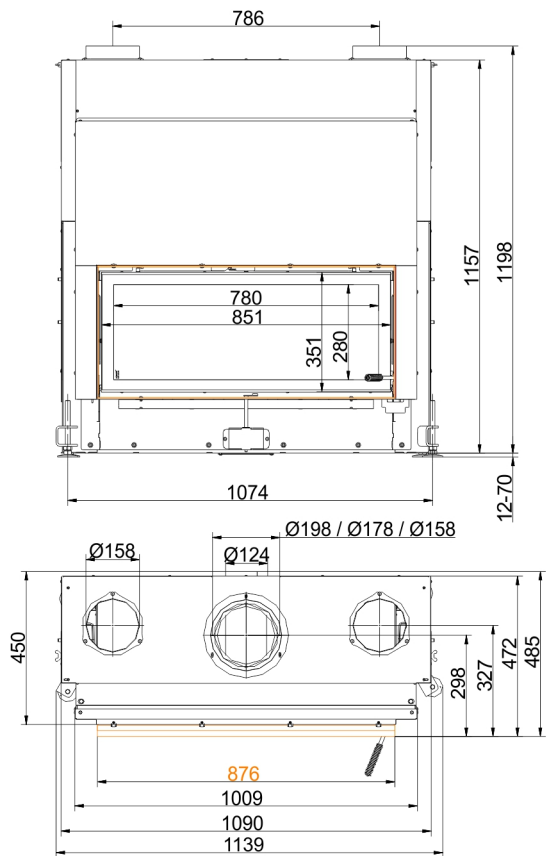


... with mounting frame 70 mm

# Dimension sheets - Architektur 38/86 k lifting door (easy-lift)

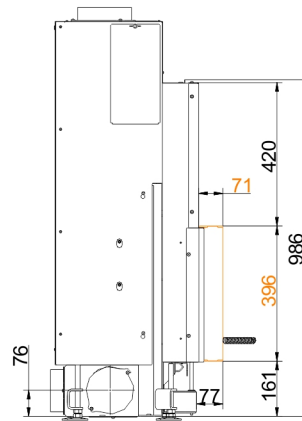
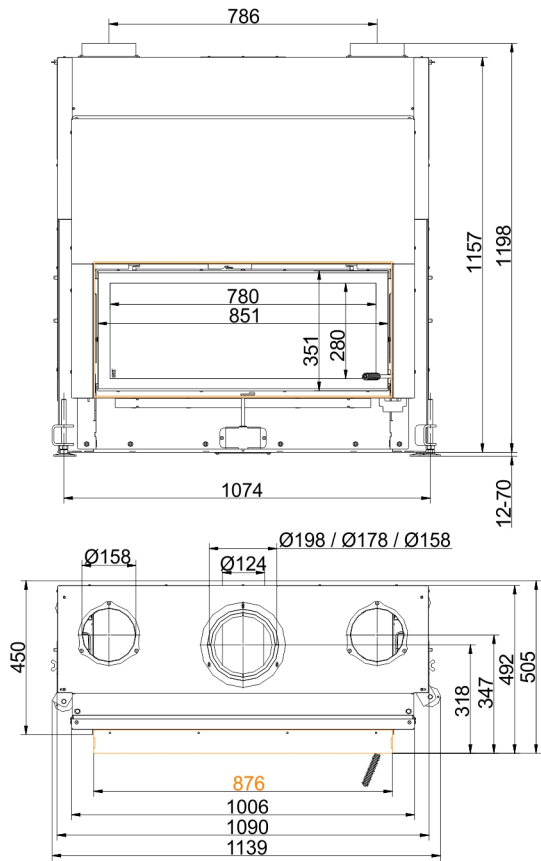


... with door frame

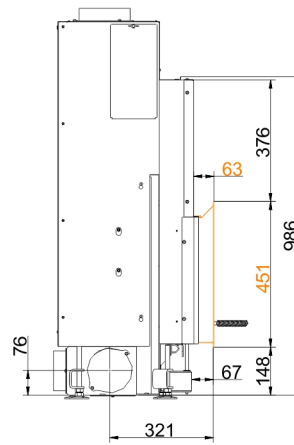
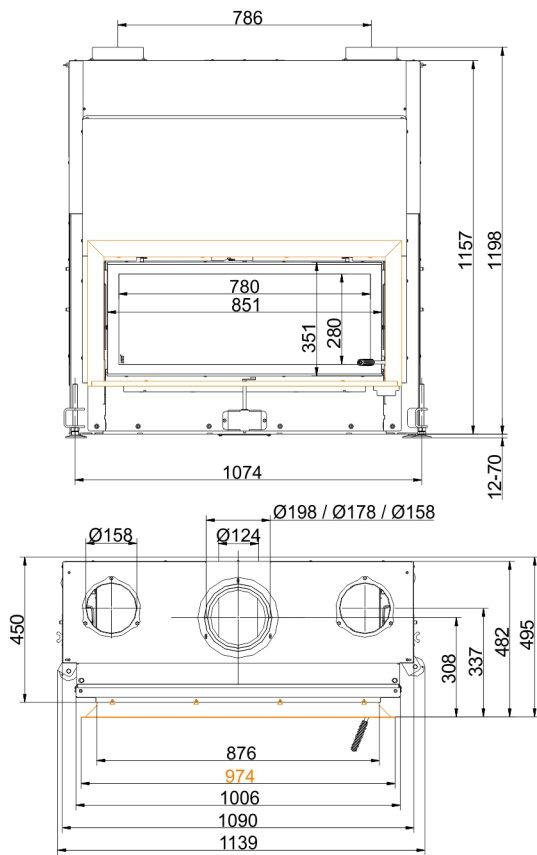


... with mounting frame 50 mm and convection cladding

# Dimension sheets - Architektur 38/86 k lifting door (easy-lift)

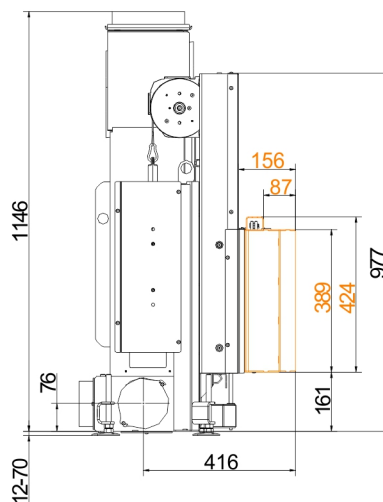
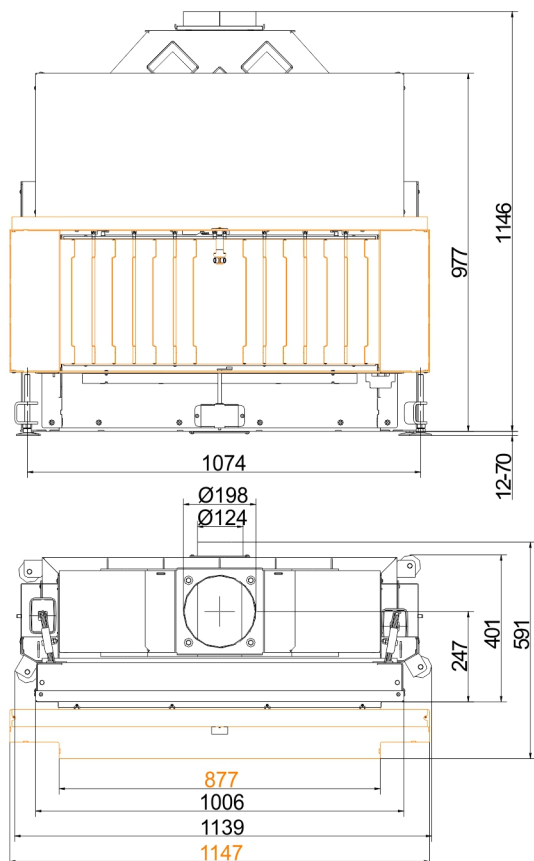


... with mounting frame 70 mm and convection cladding



... with frame and convection cladding

# Dimension sheets - Architektur 38/86 k lifting door (easy-lift)



... with heatSTOP®

We suggest for CAD planing Palette CAD. Permanent updated drawings: [www.brunner.de](http://www.brunner.de)  
 Frames / front versions are marked colored.

## Planning and installation - Architektur 38/86 k lifting door (easy-lift)

Tested according to		EN 13229 W	EN 13229 W
Values measured at		Rated capacity	Open
Suitable for all construction types according to rules		OK	-
EEL		111.4	111.4
<b>Data for functional demonstration</b>			
Rated heat power	kW	8	-
Fire wood volume	kg/h	2.5	2.5
Combustion performance	kW	10	10
Flue gas mass flow	g/s	7	60
Flue gas temperature after:			
attached steel smoke hood	°C	300	115
Necessary supply pressure	Pa	12	6
Combustion air consumption	m <sup>3</sup> /h	22	200
Combustion air connection Ø	mm	125	-
<b>Heat distribution</b>			
Insert / heat accumulator	%	30 / 30	-
Glass pane (single / double)	%	40 / -	-
<b>Cross-section of gratings <sup>1)</sup></b>			
Supply air	cm <sup>2</sup>	1000 / 200 / -	-
Warm air	cm <sup>2</sup>	1000 / 200 / -	-
<b>Minimal oven surface for closed construction type</b>			
Heat dissipating surface	m <sup>2</sup>	5	-
<b>Min. distances of fireplace without / with convection casing</b>			
to insulation layer	cm	8 / 3	8 / 3
to mounting floor	cm	2 / 2	2 / 2
<b>Thermal insulation without / with air gratings <sup>2)</sup></b>			
Mounting wall	cm	16 / 12	16 / 12
Floor	cm	0	0
Ceiling	cm	28 / 20	28 / 20
Brick lining for combustible wall	cm	10	10
<b>Weight</b>			
Fireplace / combustion chamber	kg	175 / 55	
<b>Meets requirement/limit values for:</b>			
Germany/ Austria / Suisse / Norway		1.BImSchV (Stufe 2) / 15a BVG (2015) / LRV / NS 3059	

1) for fireplace inserts / flue gas pipe / metallic reheating surface

2) Values determined with upper air sections; stove cladding is heat emitting.