



Architektur 45/101 k

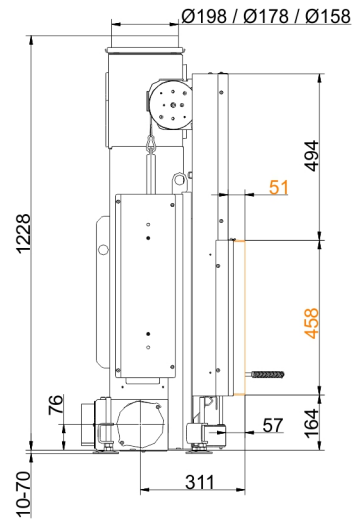
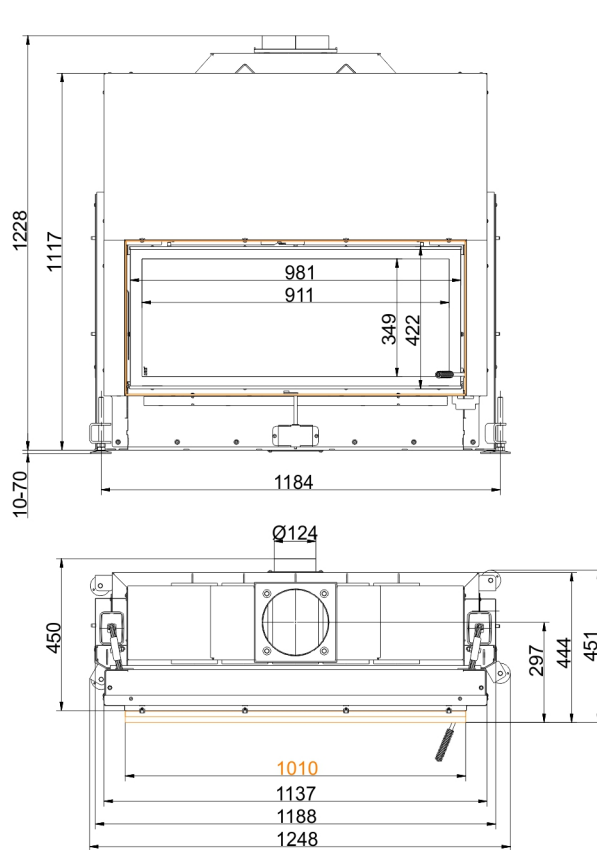
lifting door (easy-lift)

State: 2018-01-23

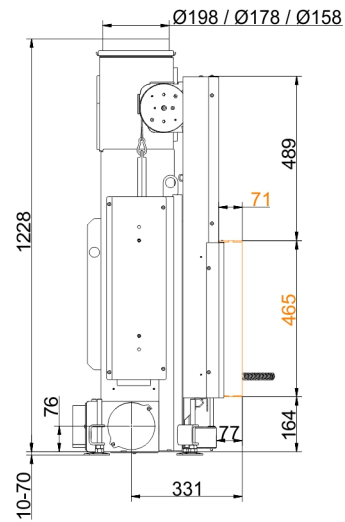
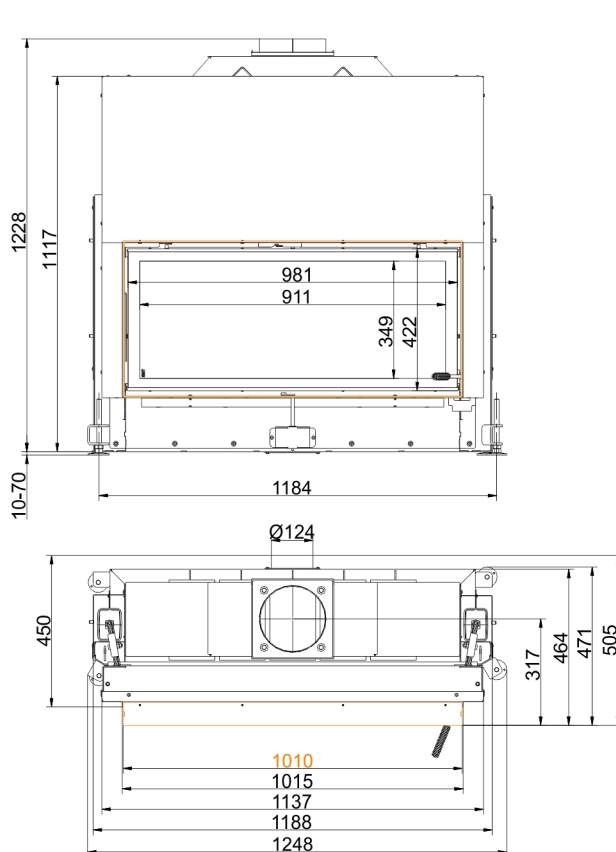


BRUNNER[®]
made in germany.

Dimension sheets - Architektur 45/101 k lifting door (easy-lift)

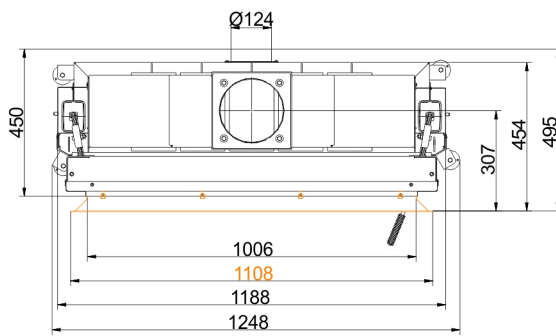
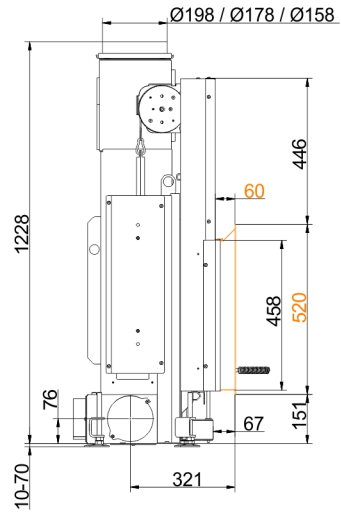
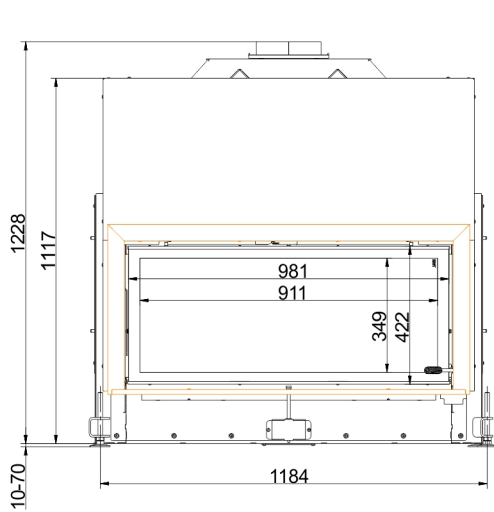


... with mounting frame 50 mm

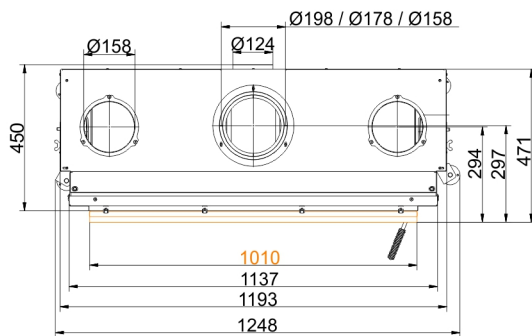
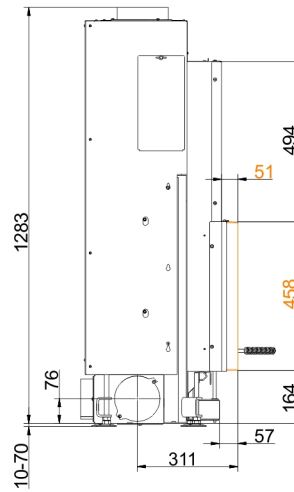
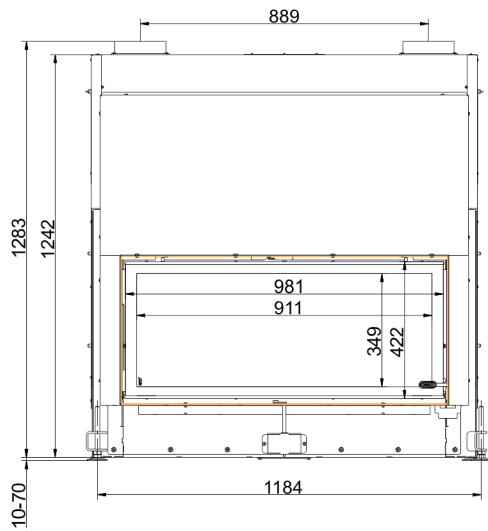


... with mounting frame 70 mm

Dimension sheets - Architektur 45/101 k lifting door (easy-lift)

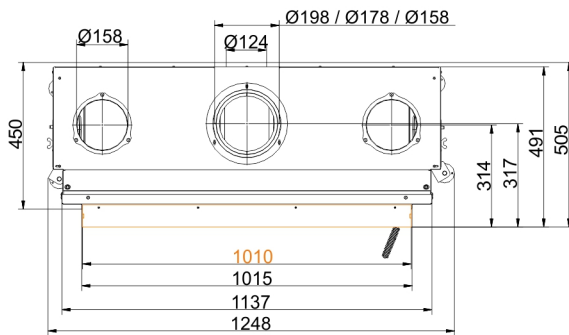
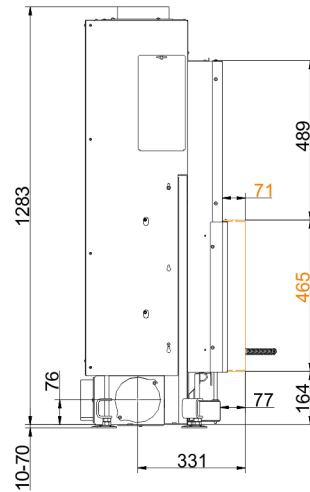
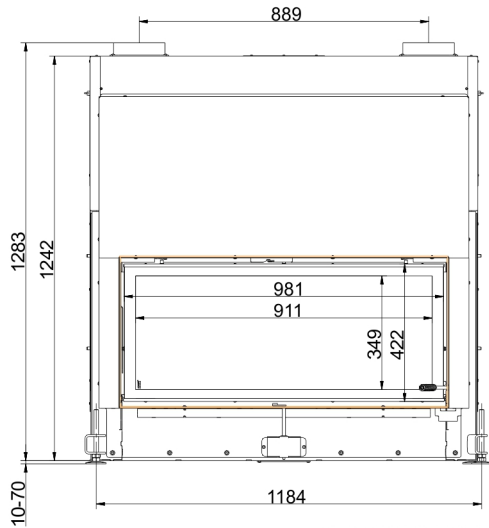


... with door frame

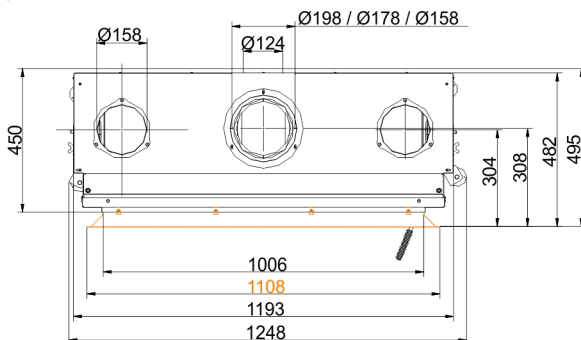
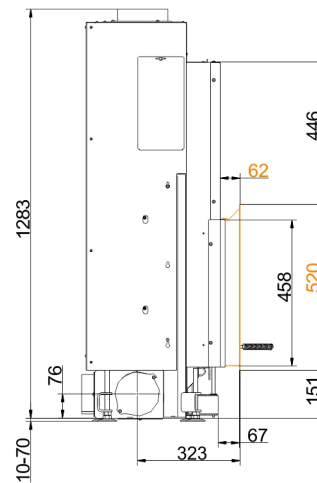
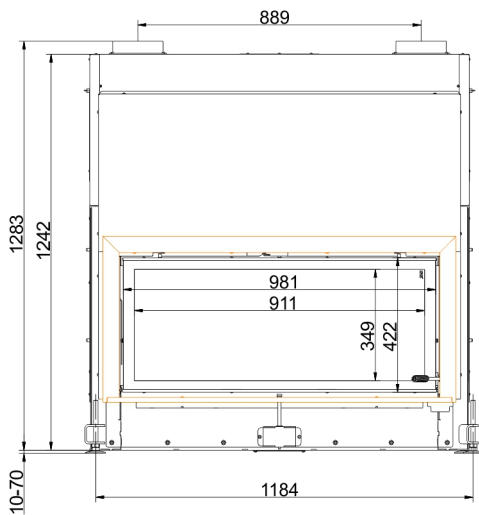


... with mounting frame 50 mm and convection cladding

Dimension sheets - Architektur 45/101 k lifting door (easy-lift)



... with mouting frame 70 mm and convection cladding



... with frame and convection cladding

We suggest for CAD planing Palette CAD. Permanent updated drawings: www.brunner.de
 Frames / front versions are marked colored.

Planning and installation - Architektur 45/101 k lifting door (easy-lift)

Tested according to		EN 13229 W	EN 13229 W
Values measured at		Rated capacity	Open
Suitable for all construction types according to rules		OK	OK
EEL		105.6	105.6
Data for functional demonstration			
Rated heat power	kW	9	-
Fire wood volume	kg/h	2.9	2.9
Combustion performance	kW	11	11
Flue gas mass flow	g/s	10	70
Flue gas temperature after:			
attached steel smoke hood	°C	220	130
Necessary supply pressure	Pa	12	6
Combustion air consumption	m ³ /h	30	210
Combustion air connection Ø	mm	125	-
Heat distribution			
Insert / heat accumulator	%	60 / -	-
Glass pane (single / double)	%	40 / -	-
Cross-section of gratings ¹⁾			
Supply air	cm ²	900 / 100 / -	-
Warm air	cm ²	900 / 100 / -	-
Minimal oven surface for closed construction type			
Heat dissipating surface	m ²	7.2	-
Min. distances of fireplace without / with convection casing			
to insulation layer	cm	8 / 3	8 / 3
to mounting floor	cm	2 / 2	2 / 2
Thermal insulation without / with air gratings ²⁾			
Mounting wall	cm	18 / 14	18 / 14
Floor	cm	4 / 2	4 / 2
Ceiling	cm	25 / 18	25 / 18
Brick lining for combustible wall	cm	10	10
Weight			
Fireplace / combustion chamber	kg	185 / 68	
Meets requirement/limit values for:			
Germany/ Austria / Suisse / Norway		1.BImSchV (Stufe 2) / 15a BVG (2015) / LRV / NS 3059	

1) for fireplace inserts / flue gas pipe / metallic reheating surface

2) Values determined with upper air sections; stove cladding is heat emitting.