

BRUNNER FIREPLACES



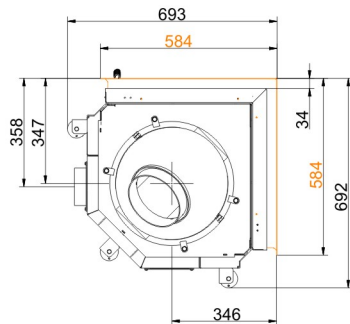
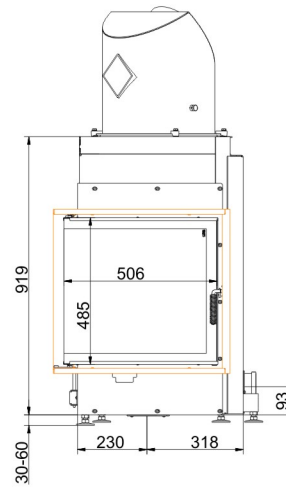
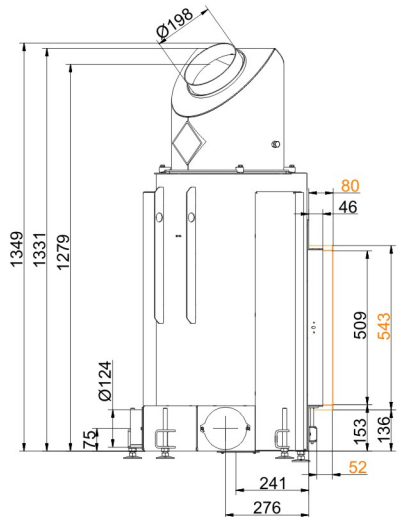
## Eck-Kamin 51/52/52 side-opening door

State: 2018-01-26

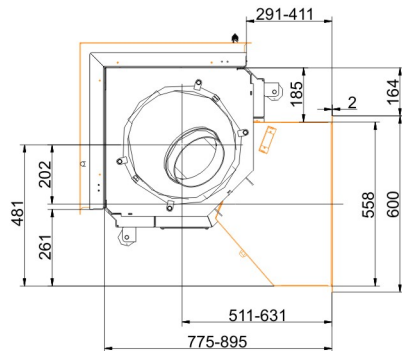
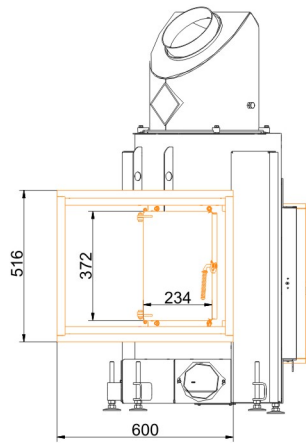
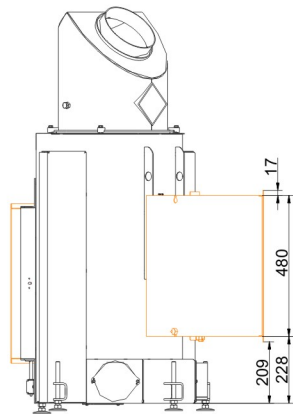


**BRUNNER**<sup>®</sup>  
*made in germany.*

# Dimension sheets - Eck-Kamin 51/52/52 side-opening door

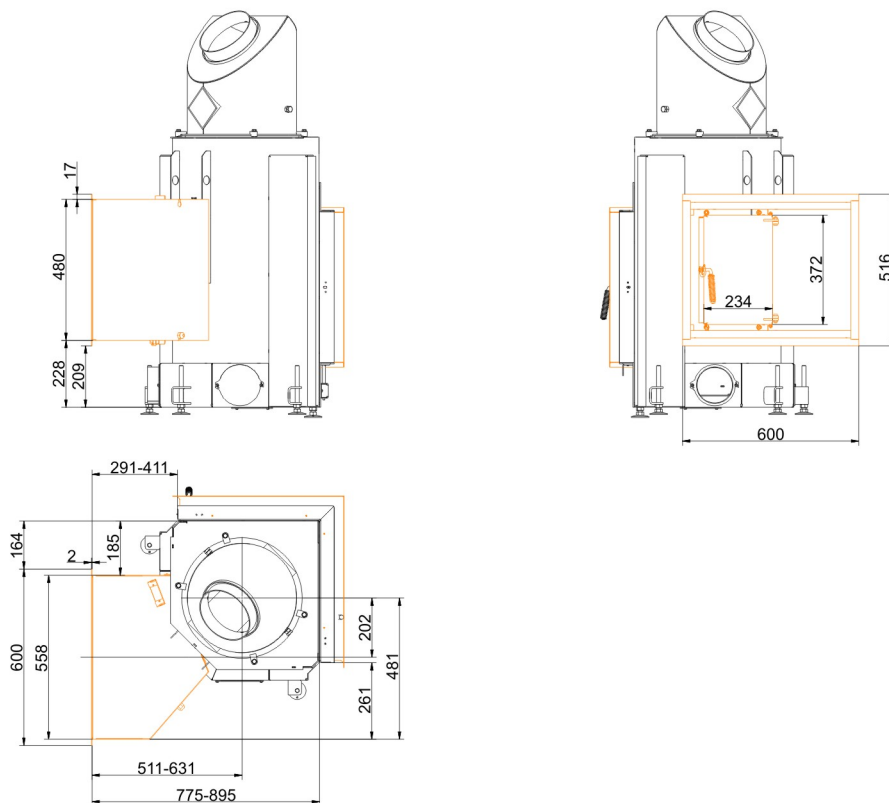


... with door frame



... with additional fire door left

## Dimension sheets - Eck-Kamin 51/52/52 side-opening door



... with additional fire door right

We suggest for CAD planing Palette CAD. Permanent updated drawings: [www.brunner.de](http://www.brunner.de)  
Frames / front versions are marked colored.

## Planning and installation - Eck-Kamin 51/52/52 side-opening door

Tested according to		EN 13229 W	EN 13229 WA	EN 13229 W
Values measured at		Rated capacity	Accumulation	Open
Suitable for all construction types according to rules		OK	OK	OK
EEl		105.7	105.7	105.7
<b>Data for functional demonstration</b>				
Rated heat power	kW	10	-	-
Fire wood volume	kg/h	3	5	3
Combustion performance	kW	13	22	13
Flue gas mass flow	g/s	12	21	81
Outlet temperature (before heating surface)	°C	-	340	-
Flue gas temperature after:				
attached steel smoke hood	°C	210	246	116
1 x adjoining cast iron radiator (GNF 8/10)	°C	-	124	-
6 x accumulation rings (MAS) <sup>1)</sup>	°C	-	210	-
2 m ceramic accumulator <sup>2)</sup>	°C	-	180	-
1,4 m accumulation stones (MSS) <sup>2)</sup>	°C	-	180	-
Necessary supply pressure	Pa	13	15	8
Combustion air consumption	m <sup>3</sup> /h	30	50	200
Efficiency	%	80	-	-
Combustion air connection Ø	mm	125	125	-
<b>Heat distribution</b>				
Insert / heat accumulator	%	25 / 30	25 / 30	-
Glass pane (single / double)	%	45 / -	45 / -	-
<b>Cross-section of gratings <sup>3)</sup></b>				
Supply air	cm <sup>2</sup>	500 / 100 / 300	500 / 100 / 300	-
Warm air	cm <sup>2</sup>	500 / 100 / 300	500 / 100 / 300	-
<b>Minimal oven surface for closed construction type</b>				
Heat dissipating surface	m <sup>2</sup>	4	4	-
<b>Minimal distances of the fireplace</b>				
to insulation layer	cm	8	8	8
to mounting floor	cm	15	15	15
<b>Thermal insulation without / with air gratings <sup>4)</sup></b>				
Mounting wall	cm	14 / 10	14 / 10	14 / 10
Floor	cm	2 / 2	2 / 2	2 / 2
Ceiling	cm	16 / 12	16 / 12	16 / 12
Brick lining for combustible wall	cm	10	10	10
<b>Weight</b>				
Fireplace / combustion room	kg	123 / 52		
<b>Meets requirement/limit values for:</b>				
Germany/ Austria / Suisse / Norway	1.BImSchV (Stufe 2) / 15a BVG (2015) / LRV / NS 3059			

- 1) Damper flap recommended
- 2) Approximate value. Proof of function provided by calculation required
- 3) for fireplace inserts / flue gas pipe / metallic reheating surface
- 4) Values determined with upper air sections; stove cladding is heat emitting.