

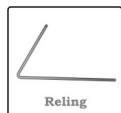
## BRUNNER FIREPLACES



### Eck-Kamin 70/33/33

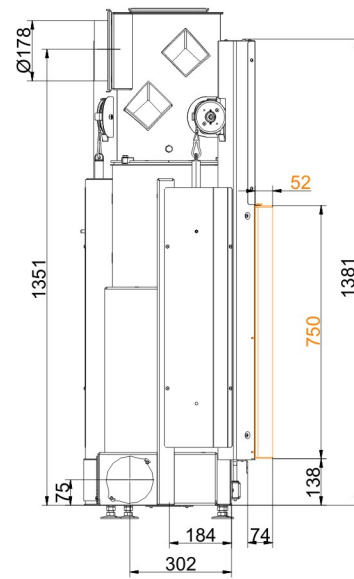
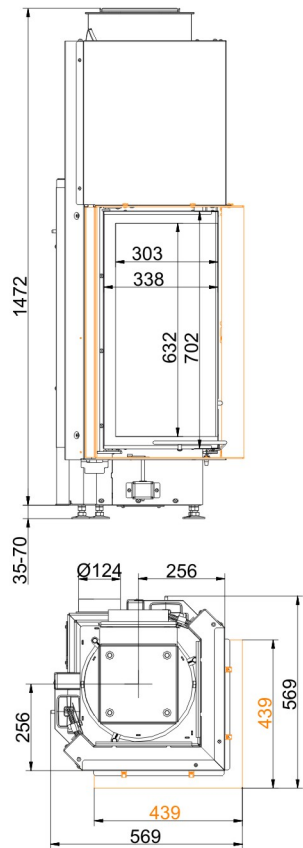
lifting door (easy-lift)

State: 2018-01-26

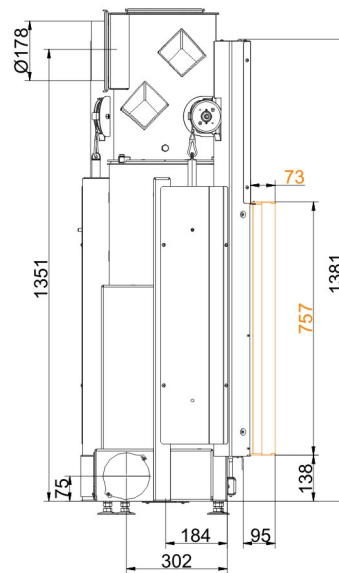
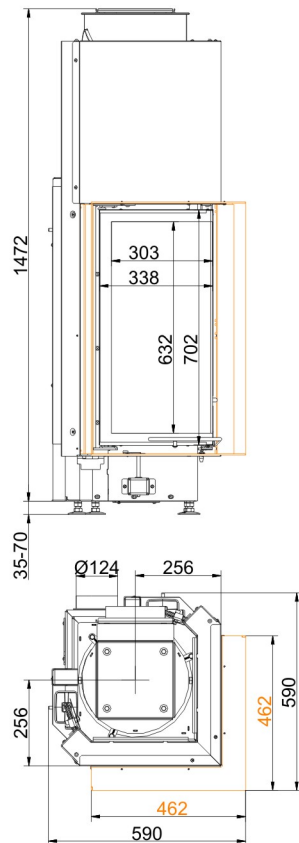


**BRUNNER**<sup>®</sup>  
*made in germany.*

# Dimension sheets - Eck-Kamin 70/33/33 lifting door (easy-lift)



... with mounting frame 50 mm



... with mounting frame 70 mm

We suggest for CAD planing Palette CAD. Permanent updated drawings: [www.brunner.de](http://www.brunner.de)  
Frames / front versions are marked colored.

## Planning and installation - Eck-Kamin 70/33/33 lifting door (easy-lift)

Tested according to		EN 13229 W	EN 13229 W
Values measured at		Rated capacity	Open
Suitable for all construction types according to rules		OK	OK
EEL		108.5	108.5
<b>Data for functional demonstration</b>			
Rated heat power	kW	9	-
Fire wood volume	kg/h	2.9	2.9
Combustion performance	kW	12	12
Flue gas mass flow	g/s	9	30
Flue gas temperature after:			
steel smoke hood	°C	210	170
Necessary supply pressure	Pa	13	6
Combustion air consumption	m³/h	28	85
Combustion air connection Ø	mm	125	125
<b>Heat distribution</b>			
Insert / heat accumulator	%	25 / 30	-
Glass pane (single / double)	%	45 / -	-
<b>Cross-section of gratings <sup>1)</sup></b>			
Supply air	cm²	400 / 100 / 200	400 / 100 / 200
Warm air	cm²	400 / 100 / 200	400 / 100 / 200
<b>Minimal oven surface for closed construction type</b>			
Heat dissipating surface	m²	3.5	-
<b>Minimal distances of the fireplace</b>			
to insulation layer	cm	8	8
to mounting floor	cm	4	4
<b>Thermal insulation without / with air gratings <sup>2)</sup></b>			
Mounting wall	cm	8 / 6	8 / 6
Floor	cm	0 / 0	0 / 0
Ceiling	cm	19 / 15	19 / 15
Brick lining for combustible wall	cm	10	10
<b>Weight</b>			
Fireplace / combustion room	kg	171 / 42	
<b>Meets requirement/limit values for:</b>			
Germany/ Austria / Suisse / Norway		1.BImSchV (Stufe 2) / 15a BVG (2015) / LRV / NS 3059	

1) for fireplace inserts / flue gas pipe / metallic reheating surface

2) Values determined with upper air sections; stove cladding is heat emitting.