

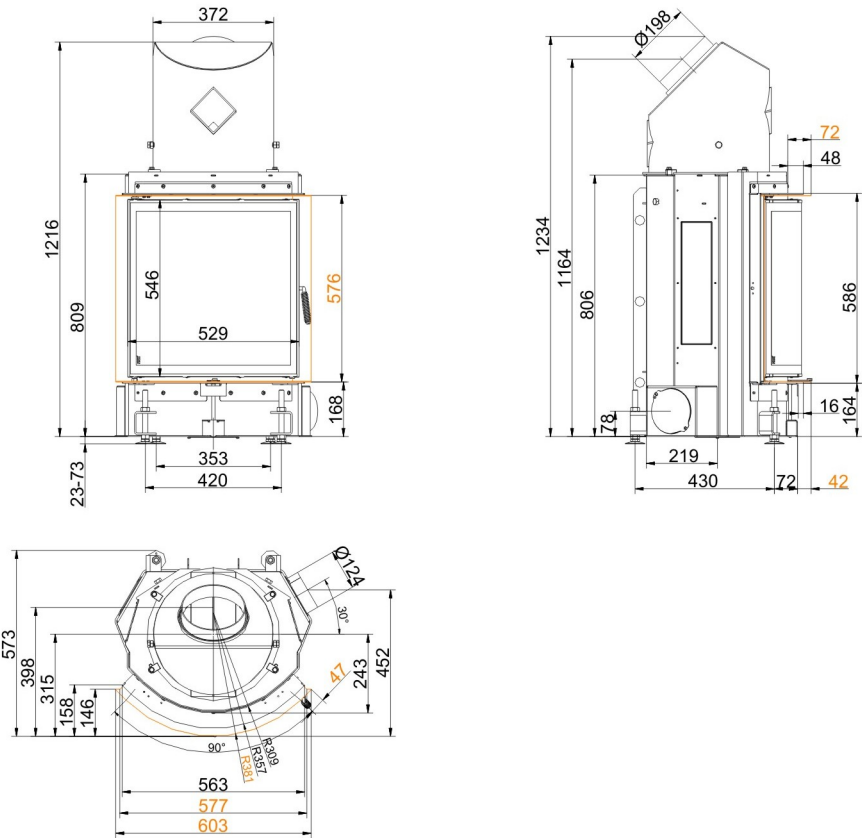


## Kompakt-Kamin 57/55 round side-opening door

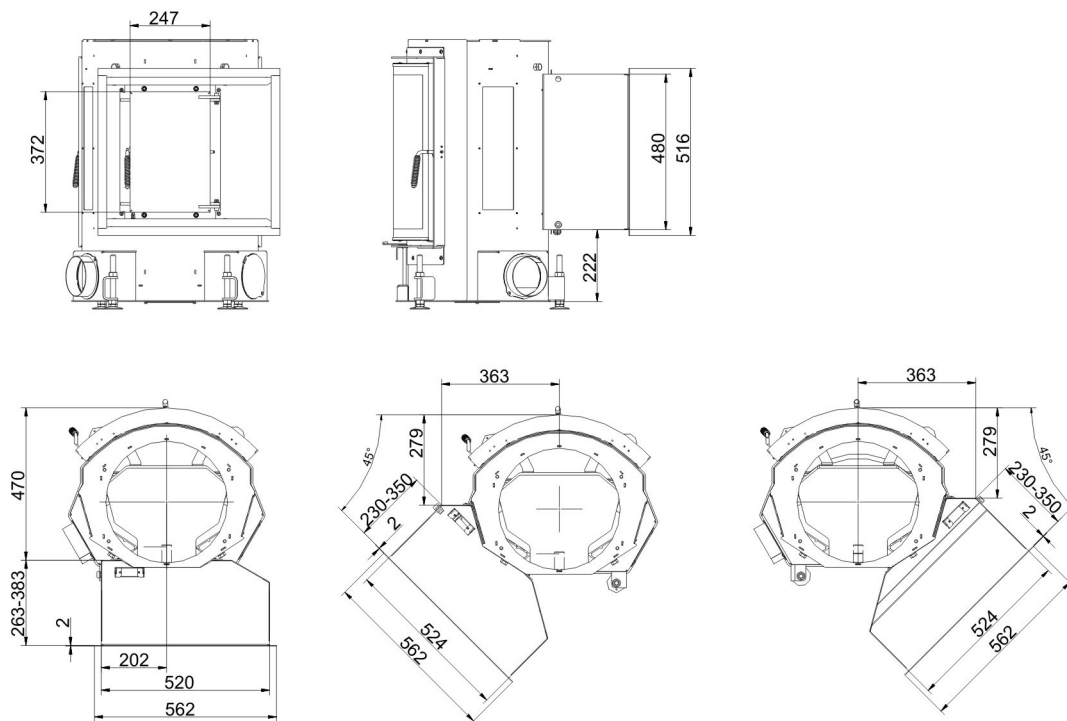
State: 2018-01-29

**BRUNNER**<sup>®</sup>  
*made in germany.*

# Dimension sheets - Kompakt-Kamin 57/55 round side-opening door



... with steel smoke hood



... with additional fire door

We suggest for CAD planing Palette CAD. Permanent updated drawings: [www.brunner.de](http://www.brunner.de)  
 Frames / front versions are marked colored.

## Planning and installation - Kompakt-Kamin 57/55 round side-opening door

Tested according to	EN 13229 W	EN 13229 WA
Values measured at	Rated capacity	Accumulation
Suitable for all construction types according to rules	OK	OK
EEl	108.5	108.5

### Data for functional demonstration

Rated heat power	kW	8	-
Fire wood volume	kg/h	2.5	4
Combustion performance	kW	10	17
Flue gas mass flow	g/s	8.5	20
Outlet temperature (before heating surface)	°C	-	340
Flue gas temperature after:			
attached steel smoke hood	°C	225	-
1 x adjoining cast iron radiator (GNF 8/10)	°C	-	160
6 x accumulation rings (MAS) <sup>1)</sup>	°C	-	205
2 m ceramic accumulator <sup>2)</sup>	°C	-	180
1,4 m accumulation stones (MSS) <sup>2)</sup>	°C	-	180
boiler	°C	-	208
Necessary supply pressure	Pa	12	13
Combustion air consumption	m <sup>3</sup> /h	35	35
Efficiency	%	80	-
Combustion air connection Ø	mm	125	125

### Heat distribution

Insert / heat accumulator	%	30 / 30	30 / 30
Glass pane (single / double)	%	40 / -	40 / -
Boiler		-	30

### Cross-section of gratings <sup>3)</sup>

Supply air	cm <sup>2</sup>	400 / 100 / -	300 / 100 / 300
Warm air	cm <sup>2</sup>	400 / 100 / -	300 / 100 / 300

### Minimal oven surface for closed construction type

Heat dissipating surface	m <sup>2</sup>	3.8	3.8
--------------------------	----------------	-----	-----

### Minimal distances of the fireplace

to insulation layer	cm	8	8
to mounting floor	cm	2	2

### Thermal insulation without / with air gratings <sup>4)</sup>

Mounting wall	cm	12 / 9	14 / 10
Floor	cm	4 / 2	4 / 2
Ceiling	cm	14 / 10	20 / 14
Isolation around the additional door		6	6
Brick lining for combustible wall	cm	10	10

### Weight

Fireplace / combustion room	kg	108 / 55
-----------------------------	----	----------

### Meets requirement/limit values for:

Germany/ Austria / Suisse / Norway

1.BImSchV (Stufe 2) / 15a  
BVG (2015) / LRV / NS 3059

- 1) Damper flap recommended
- 2) Approximate value. Proof of function provided by calculation required
- 3) for fireplace inserts / flue gas pipe / metallic reheating surface
- 4) Values determined with upper air sections; stove cladding is heat emitting.

Ulrich Brunner GmbH  
Zellhuber Ring 17 - 18  
D-84307 Eggenfeldern  
Telefonat: +49 / (0)87 21 / 7 71-0  
Telefax: +49 / (0)87 21 / 7 71-100  
info@brunner.de | www.brunner.de

**BRUNNER**®  
*made in germany.*