



Kompakt-Kamin 57/55 round

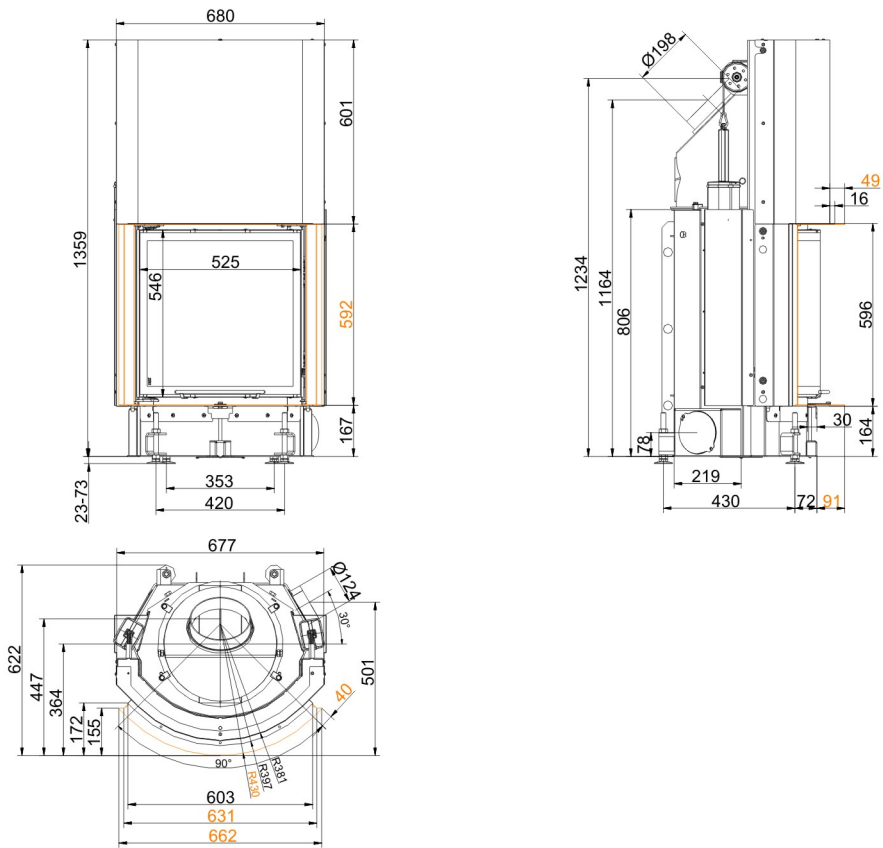
lifting door (easy-lift)

State: 2018-01-29

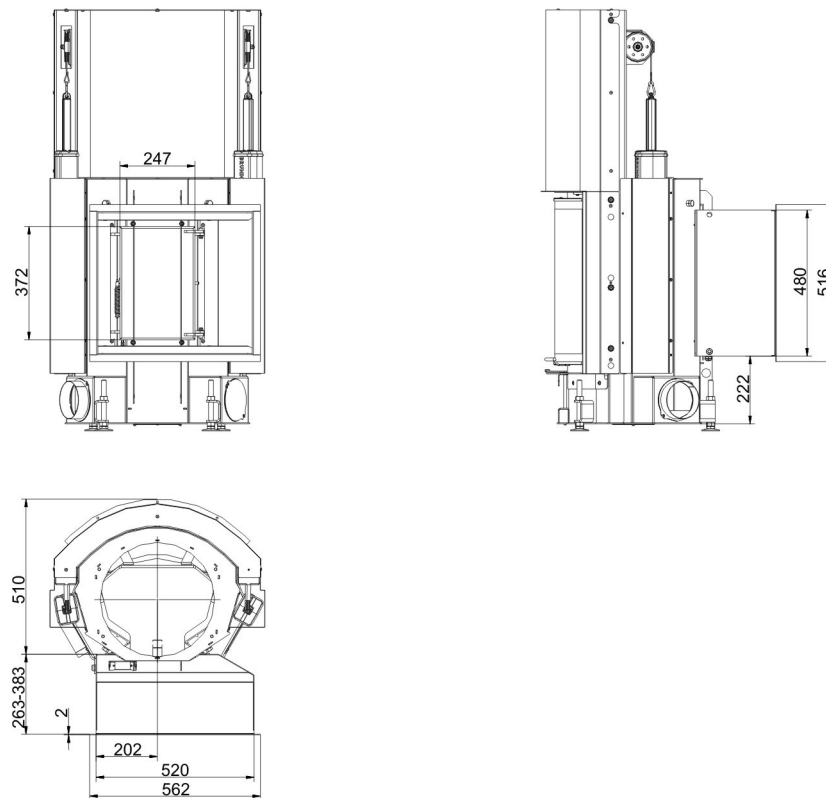
 <p>BlmSchV</p>	 <p>Warm Luft</p>
 <p>keramische Züge</p>	 <p>Wasser</p>
 <p>Elektronische Ofen- Steuerung</p>	 <p>Aussenluft Anschluss</p>
 <p>100% PRODUKT</p>	 <p>Durch Heiz Tür</p>
 <p>Stahlblechhaube</p>	 <p>Power- Stahlblechhaube</p>
 <p>Gusskuppel</p>	 <p>Modulaufsatz- speicher</p>
 <p>Kesselmodul</p>	 <p>Steckgriff</p>
 <p>Stellhebel</p>	 <p>33cm Schnittlänge</p>

BRUNNER[®]
made in germany.

Dimension sheets - Kompakt-Kamin 57/55 round lifting door (easy-lift)



... with steel smoke hood



... with additional fire door

We suggest for CAD planing Palette CAD. Permanent updated drawings: www.brunner.de
 Frames / front versions are marked colored.

Planning and installation - Kompakt-Kamin 57/55 round lifting door (easy-lift)

Tested according to	EN 13229 W	EN 13229 WA	
Values measured at	Rated capacity	Accumulation	
Suitable for all construction types according to rules	OK	OK	
EEl	108.5	108.5	
Data for functional demonstration			
Rated heat power	kW	8	-
Fire wood volume	kg/h	2.5	4
Combustion performance	kW	10	17
Flue gas mass flow	g/s	8.5	20
Outlet temperature (before heating surface)	°C	-	340
Flue gas temperature after:			
attached steel smoke hood	°C	225	-
1 x adjoining cast iron radiator (GNF 8/10)	°C	-	160
6 x accumulation rings (MAS) ¹⁾	°C	-	205
2 m ceramic accumulator ²⁾	°C	-	180
1,4 m accumulation stones (MSS) ²⁾	°C	-	180
boiler	°C	-	208
Necessary supply pressure	Pa	12	13
Combustion air consumption	m ³ /h	35	35
Efficiency	%	80	-
Combustion air connection Ø	mm	125	125
Heat distribution			
Insert / heat accumulator	%	30 / 30	30 / 30
Glass pane (single / double)	%	40 / -	40 / -
Boiler		-	30
Cross-section of gratings ³⁾			
Supply air	cm ²	400 / 100 / -	300 / 100 / 300
Warm air	cm ²	400 / 100 / -	300 / 100 / 300
Minimal oven surface for closed construction type			
Heat dissipating surface	m ²	3.8	3.8
Minimal distances of the fireplace			
to insulation layer	cm	8	8
to mounting floor	cm	2	2
Thermal insulation without / with air gratings ⁴⁾			
Mounting wall	cm	12 / 9	14 / 10
Floor	cm	4 / 2	4 / 2
Ceiling	cm	14 / 10	20 / 14
Isolation around the additional door		6	6
Brick lining for combustible wall	cm	10	10
Weight			
Fireplace / combustion room	kg	158 / 55	
Meets requirement/limit values for:			
Germany/ Austria / Suisse / Norway	1.BImSchV (Stufe 2) / 15a BVG (2015) / LRV / NS 3059		

- 1) Damper flap recommended
- 2) Approximate value. Proof of function provided by calculation required
- 3) for fireplace inserts / flue gas pipe / metallic reheating surface
- 4) Values determined with upper air sections; stove cladding is heat emitting.

Ulrich Brunner GmbH
 Zellhuber Ring 17 - 18
 D-84307 Eggenfeldern
 Telefonat: +49 / (0)87 21 / 7 71-0
 Telefax: +49 / (0)87 21 / 7 71-100
 info@brunner.de | www.brunner.de

BRUNNER®
made in germany.