

## FIREPLACE INSERTS FROM BRUNNER



### Kompakt-Kamin 57/67 flat

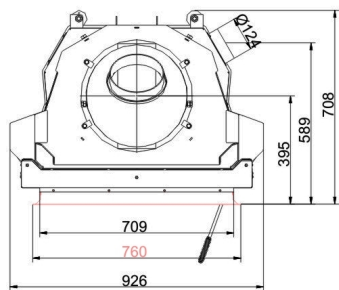
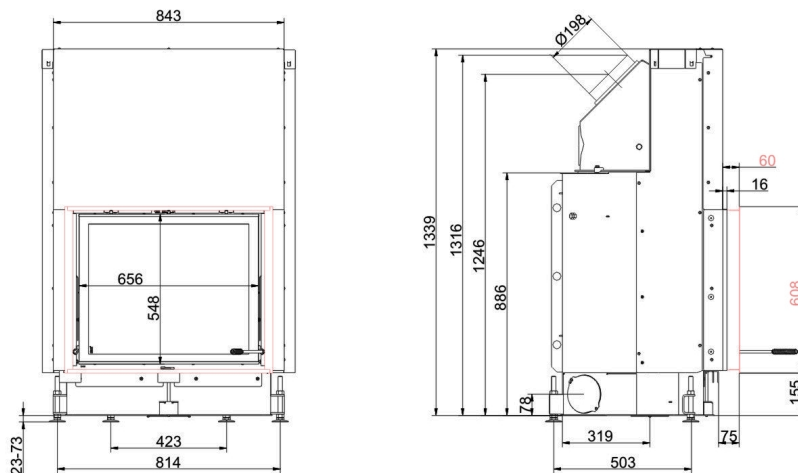
lifting door (easy-lift)

State: 2018-02-01

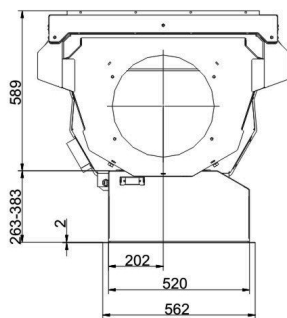
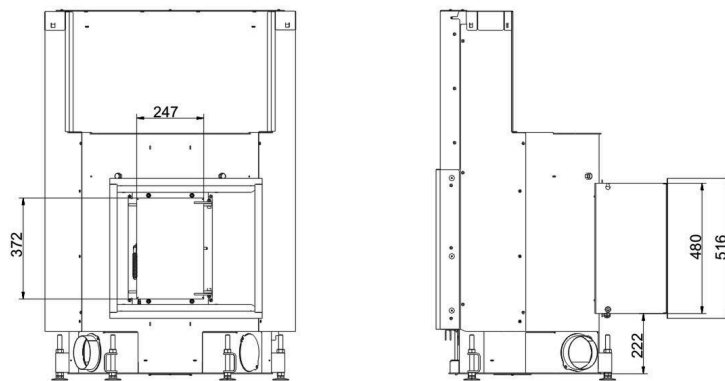


**BRUNNER**<sup>®</sup>  
*made in germany.*

# Dimension sheets - Kompakt-Kamin 57/67 flat lifting door (easy-lift)



... with steel smoke hood



... with additional fire door

We suggest for CAD planing Palette CAD. Permanent updated drawings: [www.brunner.de](http://www.brunner.de)  
 Frames / front versions are marked colored.

## Planning and installation - Kompakt-Kamin 57/67 flat lifting door (easy-lift)

Tested according to	EN 13229 W	EN 13229 WA
Values measured at	Rated capacity	Accumulation
Suitable for all construction types according to rules	OK	OK
EEl	108.6	108.6

### Data for functional demonstration

Rated heat power	kW	11	-
Fire wood volume	kg/h	3.3	5
Combustion performance	kW	14	23
Flue gas mass flow	g/s	10.5	22
Outlet temperature (before heating surface)	°C	-	350
Flue gas temperature after:			
attached steel smoke hood	°C	250	-
1 x adjoining cast iron radiator (GNF 8/10)	°C	-	190
6 x accumulation rings (MAS) <sup>1)</sup>	°C	-	235
2 m ceramic accumulator <sup>2)</sup>	°C	-	180
1,4 m accumulation stones (MSS) <sup>2)</sup>	°C	-	180
boiler	°C	-	208
Necessary supply pressure	Pa	13	13
Combustion air consumption	m <sup>3</sup> /h	40	40
Combustion air connection Ø	mm	125	125

### Heat distribution

Insert / heat accumulator	%	30 / 30	30 / 30
Glass pane (single / double)	%	40 / -	40 / -
Boiler		-	30

### Cross-section of gratings <sup>3)</sup>

Supply air	cm <sup>2</sup>	700 / 200 / -	400 / 200 / 400
Warm air	cm <sup>2</sup>	700 / 200 / -	400 / 200 / 400

### Minimal oven surface for closed construction type

Heat dissipating surface	m <sup>2</sup>	5.5	5.5
--------------------------	----------------	-----	-----

### Minimal distances of the fireplace

to insulation layer	cm	8	8
to mounting floor	cm	2	2

### Thermal insulation without / with air gratings <sup>4)</sup>

Mounting wall	cm	14 / 10	16 / 12
Floor	cm	4 / 2	4 / 2
Ceiling	cm	16 / 12	25 / 18
Isolation around the additional door		6	6
Brick lining for combustible wall	cm	10	10

### Weight

Fireplace / combustion chamber	kg	183 / 90
--------------------------------	----	----------

### Meets requirement/limit values for:

Germany/ Austria / Suisse / Norway	1.BImSchV (Stufe 2) / 15a BVG (2015) / LRV / NS 3059
------------------------------------	---

- 1) Damper flap recommended
- 2) Approximate value. Proof of function provided by calculation required
- 3) for fireplace inserts / flue gas pipe / metallic reheating surface
- 4) Values determined with upper air sections; stove cladding is heat emitting.

Ulrich Brunner GmbH  
 Zellhuber Ring 17 - 18  
 D-84307 Eggenfeldern  
 Telefonat: +49 / (0)87 21 / 7 71-0  
 Telefax: +49 / (0)87 21 / 7 71-100  
 info@brunner.de | www.brunner.de

**BRUNNER**®  
*made in germany.*