

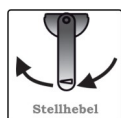
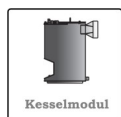
## FIREPLACE INSERTS FROM BRUNNER



### Kompakt-Kamin 57/67 round

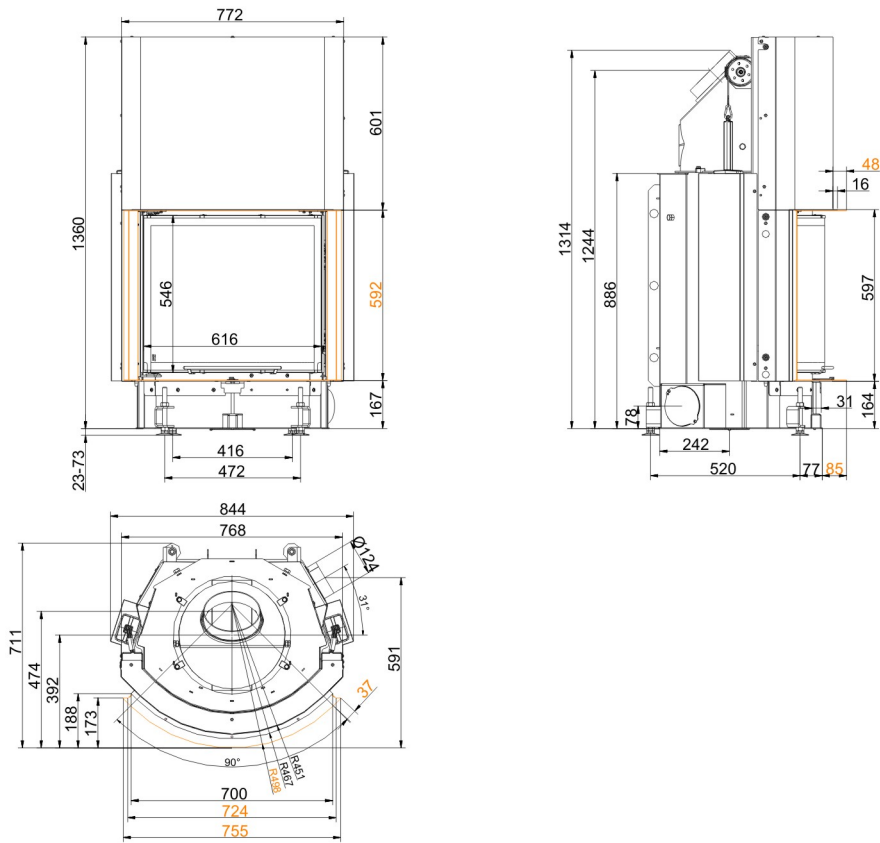
lifting door (easy-lift)

State: 2018-02-01

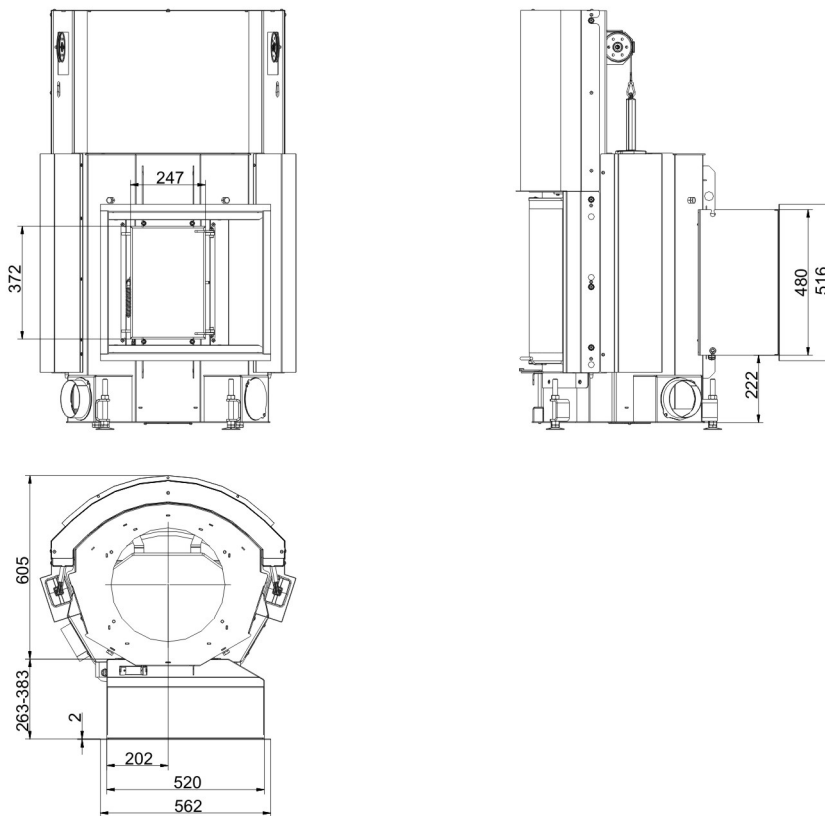


**BRUNNER**<sup>®</sup>  
*made in germany.*

# Dimension sheets - Kompakt-Kamin 57/67 round lifting door (easy-lift)



... with steel smoke hood



... with additional fire door

We suggest for CAD planing Palette CAD. Permanent updated drawings: [www.brunner.de](http://www.brunner.de)  
 Frames / front versions are marked colored.

## Planning and installation - Kompakt-Kamin 57/67 round lifting door (easy-lift)

| Tested according to   |                   | EN 13229 W  | EN 13229 WA     |
|---|-------------------|---|-----------------|
| Values measured at  |                   | Rated capacity  | Accumulation    |
| Suitable for all construction types according to rules              |                   | OK  | OK              |
| EEL   |                   | 108.6   | 108.6           |
| <b>Data for functional demonstration</b>                            |                   |   |                 |
| Rated heat power  | kW                | 11  | -               |
| Fire wood volume  | kg/h              | 3.3   | 5               |
| Combustion performance  | kW                | 14  | 23              |
| Flue gas mass flow  | g/s               | 10.5  | 22              |
| Outlet temperature (before heating surface)                         | °C                | -   | 350             |
| Flue gas temperature after:   |                   |   |                 |
| attached steel smoke hood   | °C                | 250   | -               |
| 1 x adjoining cast iron radiator (GNF 8/10)                         | °C                | -   | 190             |
| 6 x accumulation rings (MAS) <sup>1)</sup>                          | °C                | -   | 235             |
| 2 m ceramic accumulator <sup>2)</sup>                               | °C                | -   | 180             |
| 1,4 m accumulation stones (MSS) <sup>2)</sup>                       | °C                | -   | 180             |
| boiler  | °C                | -   | 208             |
| Necessary supply pressure   | Pa                | 13  | 13              |
| Combustion air consumption  | m <sup>3</sup> /h | 40  | 40              |
| Combustion air connection Ø   | mm                | 125   | 125             |
| <b>Heat distribution</b>  |                   |   |                 |
| Insert / heat accumulator   | %                 | 30 / 30   | 30 / 30         |
| Glass pane (single / double)  | %                 | 40 / -  | 40 / -          |
| Boiler  |                   | -   | 30              |
| <b>Cross-section of gratings <sup>3)</sup></b>                      |                   |   |                 |
| Supply air  | cm <sup>2</sup>   | 700 / 200 / -   | 400 / 200 / 400 |
| Warm air  | cm <sup>2</sup>   | 700 / 200 / -   | 400 / 200 / 400 |
| <b>Minimal oven surface for closed construction type</b>            |                   |   |                 |
| Heat dissipating surface  | m <sup>2</sup>    | 5.5   | 5.5             |
| <b>Minimal distances of the fireplace</b>                           |                   |   |                 |
| to insulation layer   | cm                | 8   | 8               |
| to mounting floor   | cm                | 2   | 2               |
| <b>Thermal insulation without / with air gratings <sup>4)</sup></b> |                   |   |                 |
| Mounting wall   | cm                | 14 / 10   | 16 / 12         |
| Floor   | cm                | 4 / 2   | 4 / 2           |
| Ceiling   | cm                | 16 / 12   | 25 / 18         |
| Isolation around the additional door                                |                   | 6   | 6               |
| Brick lining for combustible wall                                   | cm                | 10  | 10              |
| <b>Weight</b>   |                   |   |                 |
| Fireplace / combustion chamber                                      | kg                | 187 / 71  |                 |
| <b>Meets requirement/limit values for:</b>                          |                   |   |                 |
| Germany/ Austria / Suisse / Norway                                  |                   | 1.BImSchV (Stufe 2) / 15a<br>BVG (2015) / LRV / NS 3059 |                 |

1) Damper flap recommended

2) Approximate value. Proof of function provided by calculation required

3) for fireplace inserts / flue gas pipe / metallic reheating surface

4) Values determined with upper air sections; stove cladding is heat emitting.

Ulrich Brunner GmbH  
Zellhuber Ring 17 - 18  
D-84307 Eggenfeldern  
Telefonat: +49 / (0)87 21 / 7 71-0  
Telefax: +49 / (0)87 21 / 7 71-100  
info@brunner.de | www.brunner.de

**BRUNNER**®  
*made in germany.*