

FIREPLACE INSERTS FROM BRUNNER



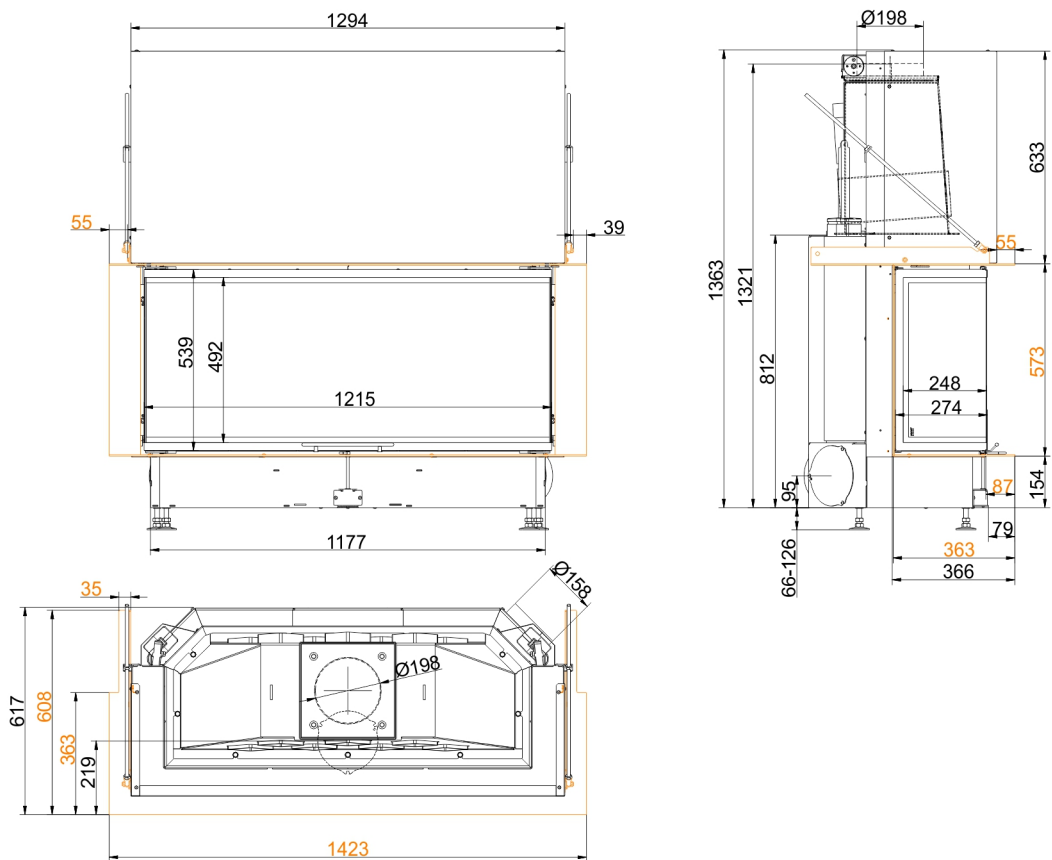
Panorama-Kamin 57/25/121/25

State: 2018-02-06

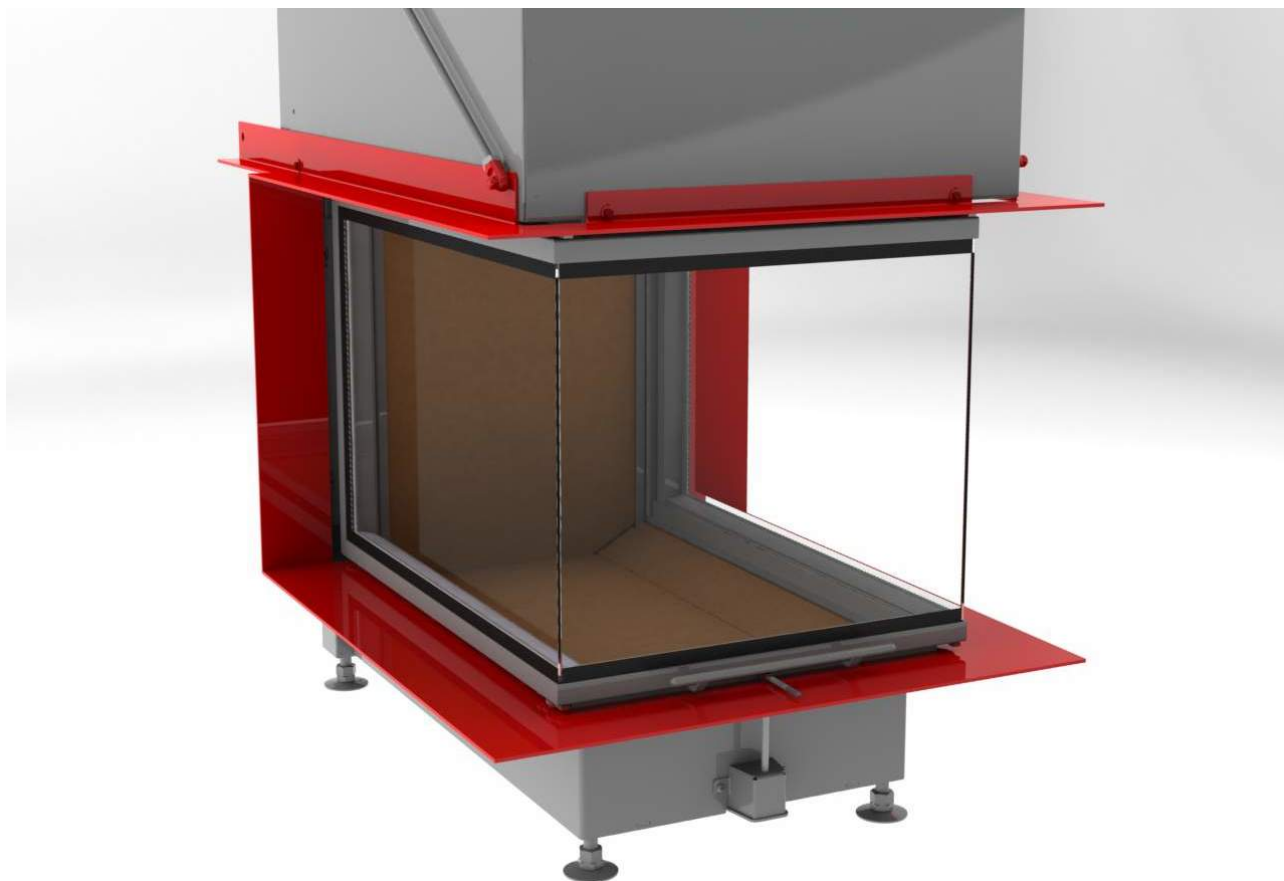


BRUNNER[®]
made in germany.

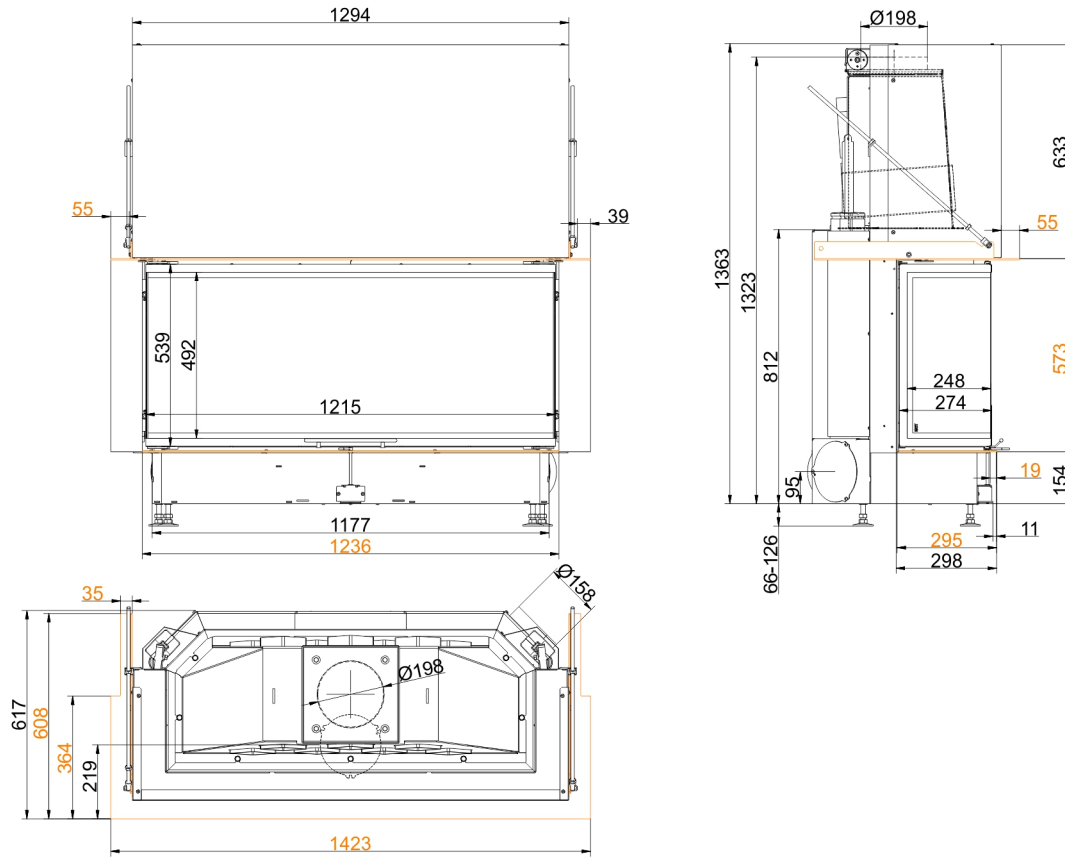
Dimension sheets - Panorama-Kamin 57/25/121/25



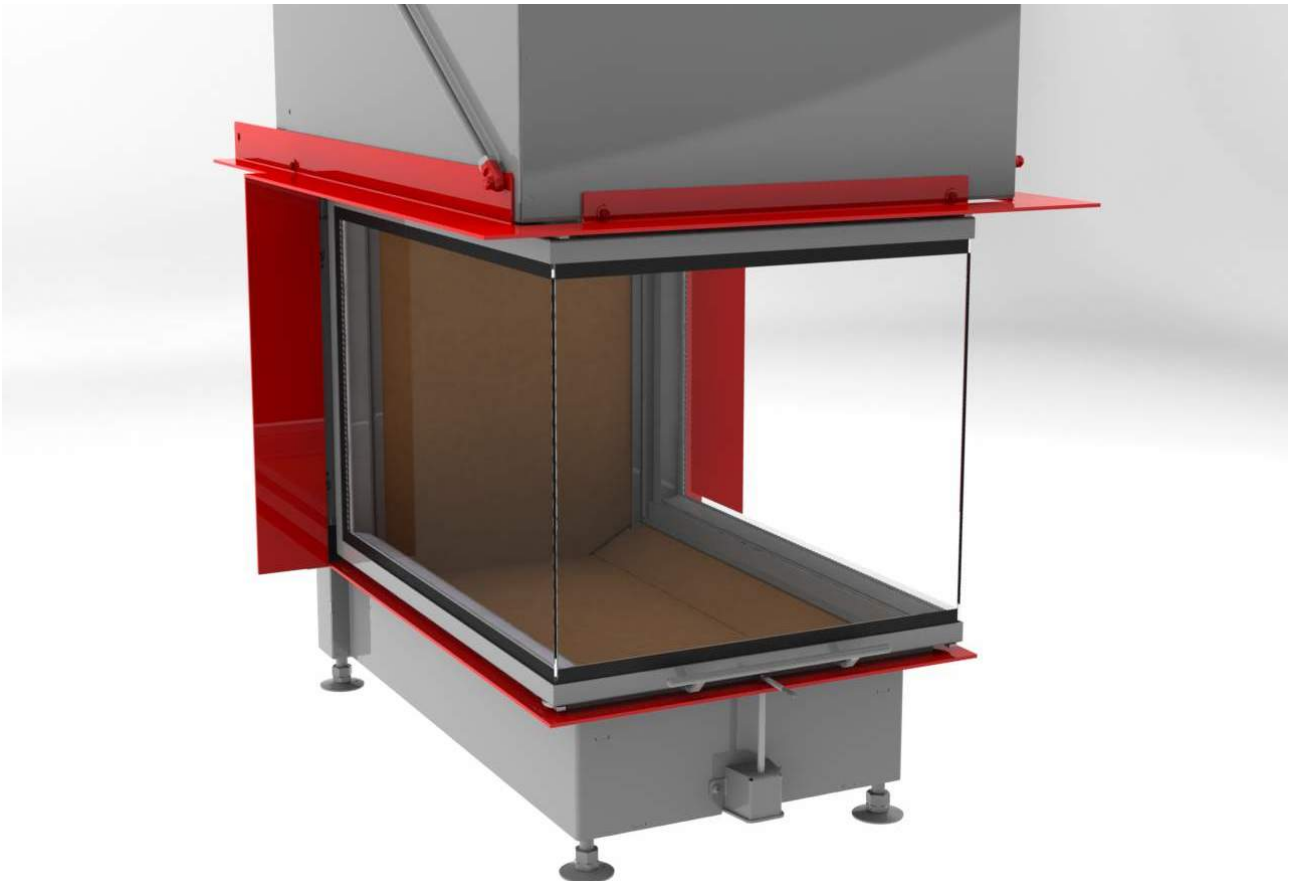
... with fire table



Dimension sheets - Panorama-Kamin 57/25/121/25



... with fire table mounting frame



We suggest for CAD planing Palette CAD. Permanent updated drawings: www.brunner.de
 Frames / front versions are marked colored.

Planning and installation - Panorama-Kamin 57/25/121/25

Tested according to		EN 13229 W
Values measured at		Rated capacity
Suitable for all construction types according to rules		OK
EEl		107.2
Data for functional demonstration		
Rated heat power	kW	13
Fire wood volume	kg/h	4.3
Combustion performance	kW	16
Flue gas mass flow	g/s	14
Flue gas temperature after:		
attached steel smoke hood	°C	210
Necessary supply pressure	Pa	12
Combustion air consumption	m ³ /h	40
Combustion air connection Ø	mm	160
Heat distribution		
Insert / heat accumulator	%	50 / -
Glass pane (single / double)	%	50 / -
Cross-section of gratings ¹⁾		
Convection air	cm ²	1200
Warm air	cm ²	1200
Minimal oven surface for closed construction type		
Heat dissipating surface	m ²	5
Min. distances of fireplace without / with convection casing		
to insulation layer	cm	6
to mounting floor	cm	2
Thermal insulation without / with air gratings ²⁾		
Mounting wall	cm	10 / 6
Floor	cm	0
Ceiling	cm	16 / 14
Brick lining for combustible wall	cm	10
Weight		
Fireplace / combustion chamber	kg	280 / 88 / -
Meets requirement/limit values for:		
Germany/ Austria / Suisse / Norway		1.BImSchV (Stufe 2) / 15a BvG (2015) / LRV / -

1) for fireplace inserts / flue gas pipe / metallic reheating surface

2) Values determined with upper air sections; stove cladding is heat emitting.