

## FIREPLACE INSERTS FROM BRUNNER



# Panorama-Kamin 57/40/85/40

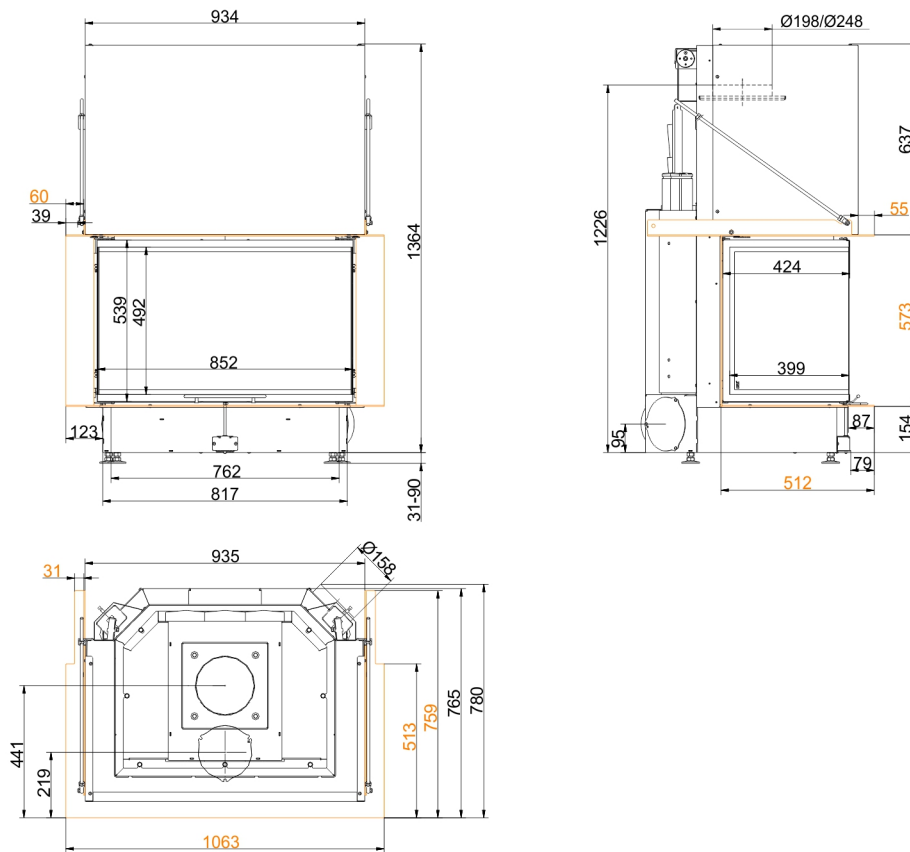
lifting door (easy-lift)

State: 2018-02-06

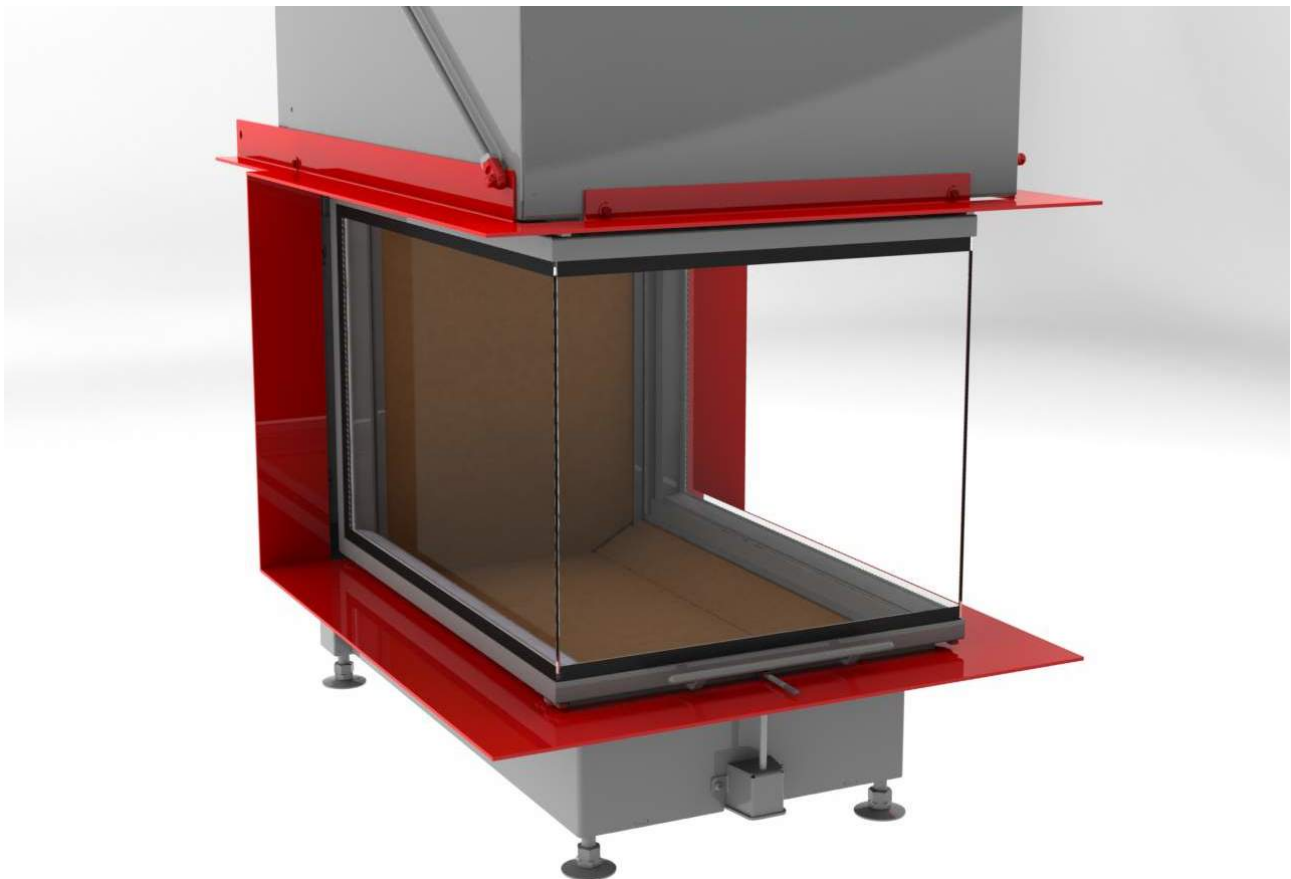


**BRUNNER**<sup>®</sup>  
*made in germany.*

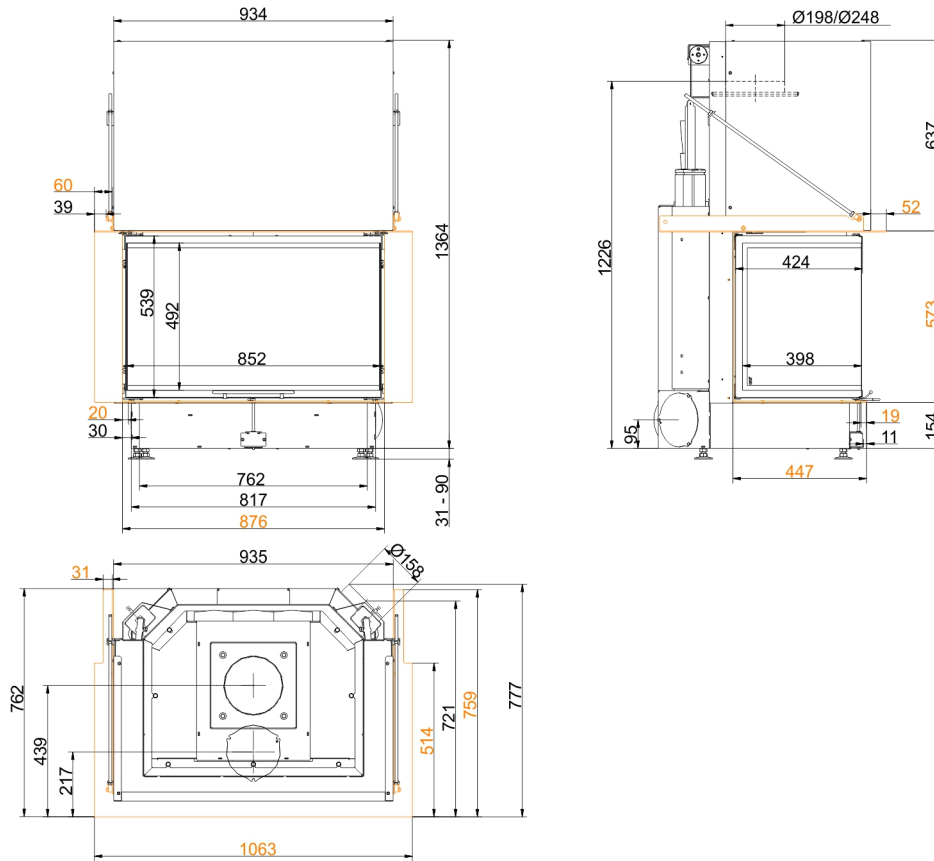
# Dimension sheets - Panorama-Kamin 57/40/85/40 lifting door (easy-lift)



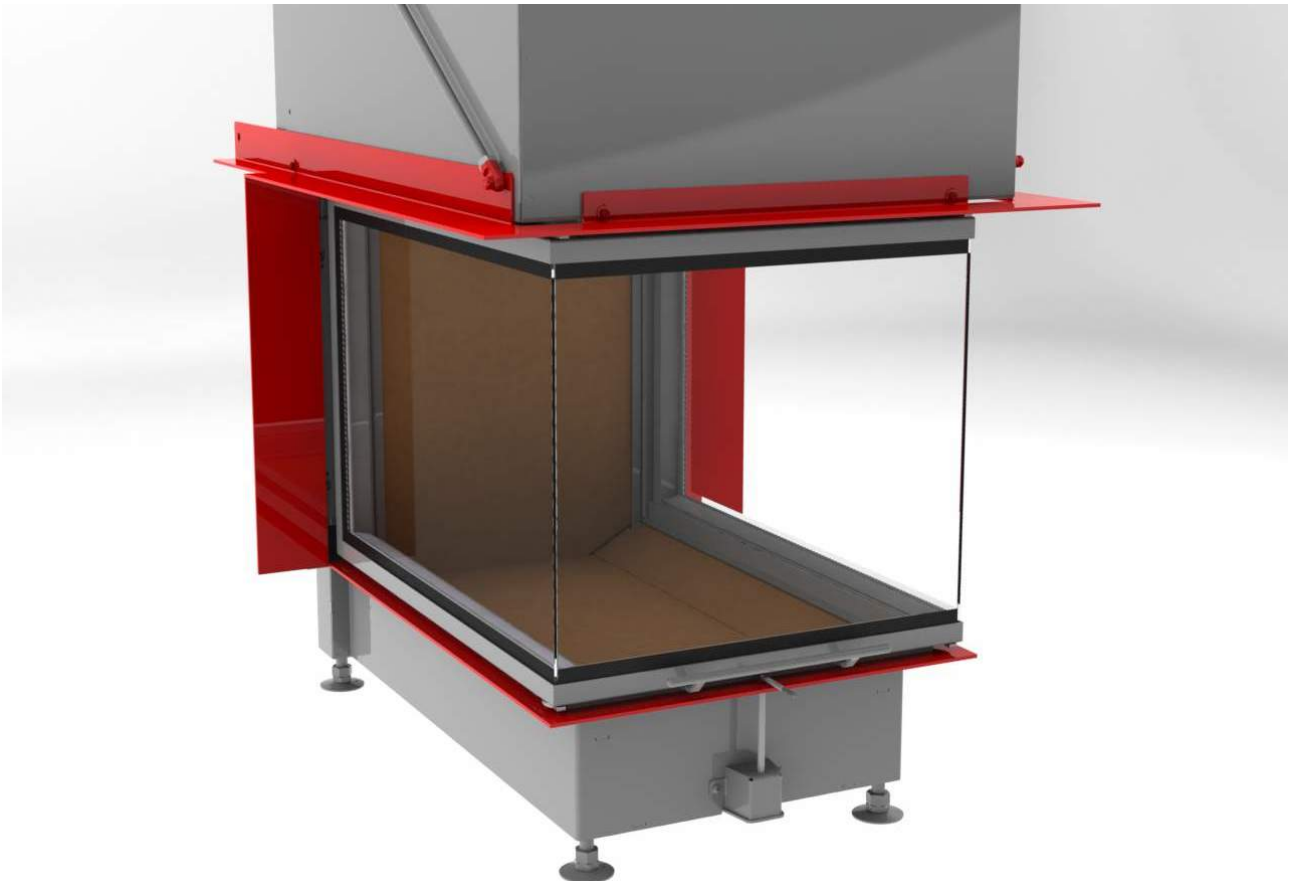
... with fire table



# Dimension sheets - Panorama-Kamin 57/40/85/40 lifting door (easy-lift)



... with fire table mounting frame



We suggest for CAD planing Palette CAD. Permanent updated drawings: [www.brunner.de](http://www.brunner.de)  
Frames / front versions are marked colored.

## Planning and installation - Panorama-Kamin 57/40/85/40 lifting door (easy-lift)

Tested according to		EN 13229 W
Values measured at		Rated capacity
Suitable for all construction types according to rules		OK
EEl		108.7
<b>Data for functional demonstration</b>		
Rated heat power	kW	13.5
Fire wood volume	kg/h	4.3
Combustion performance	kW	16
Flue gas mass flow	g/s	14
Flue gas temperature after:		
attached steel smoke hood	°C	220
Necessary supply pressure	Pa	12
Combustion air consumption	m <sup>3</sup> /h	45
Combustion air connection Ø	mm	160
<b>Heat distribution</b>		
Insert / heat accumulator	%	50 / -
Glass pane (single / double)	%	50 / -
<b>Cross-section of gratings <sup>1)</sup></b>		
Convection air	cm <sup>2</sup>	1000 / - / -
Warm air	cm <sup>2</sup>	1000 / - / -
<b>Minimal oven surface for closed construction type</b>		
Heat dissipating surface	m <sup>2</sup>	4.8
<b>Minimal distances of the fireplace</b>		
to insulation layer	cm	8
to mounting floor	cm	2
<b>Thermal insulation without / with air gratings <sup>2)</sup></b>		
Mounting wall	cm	16 / 12
Floor	cm	2 / 2
Ceiling	cm	25 / 18
Brick lining for combustible wall	cm	10
<b>Weight</b>		
Fireplace / combustion chamber	kg	246 / 70
<b>Meets requirement/limit values for:</b>		
Germany/ Austria / Suisse / Norway		1.BImSchV (Stufe 2) / 15a BVG (2015) / LRV / NS 3059

1) for fireplace inserts / flue gas pipe / metallic reheating surface

2) Values determined with upper air sections; stove cladding is heat emitting.