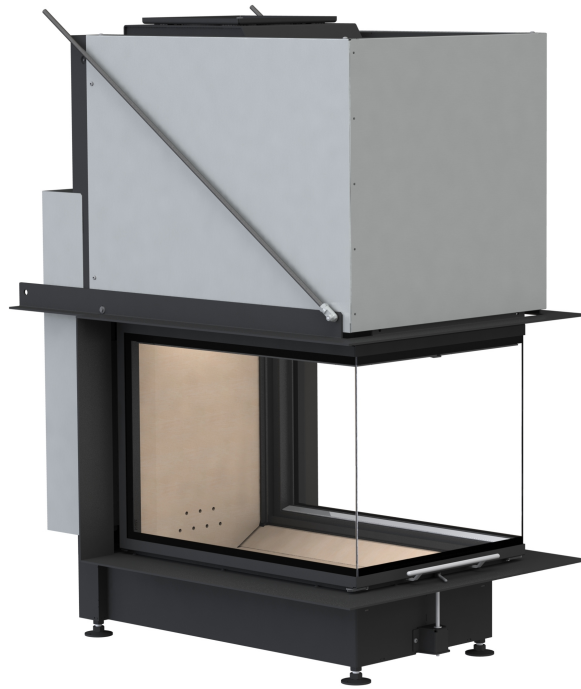


## FIREPLACE INSERTS FROM BRUNNER



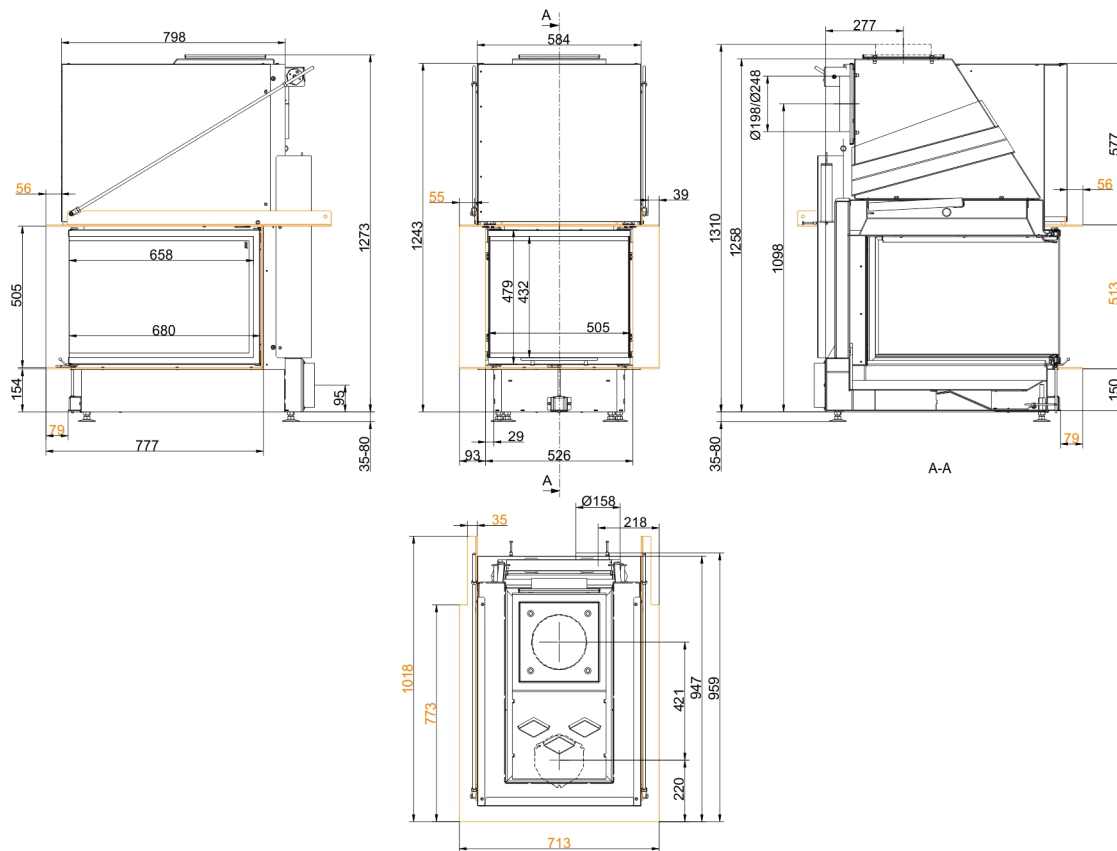
# Panorama-Kamin 51/66/50/66

State: 2018-05-17

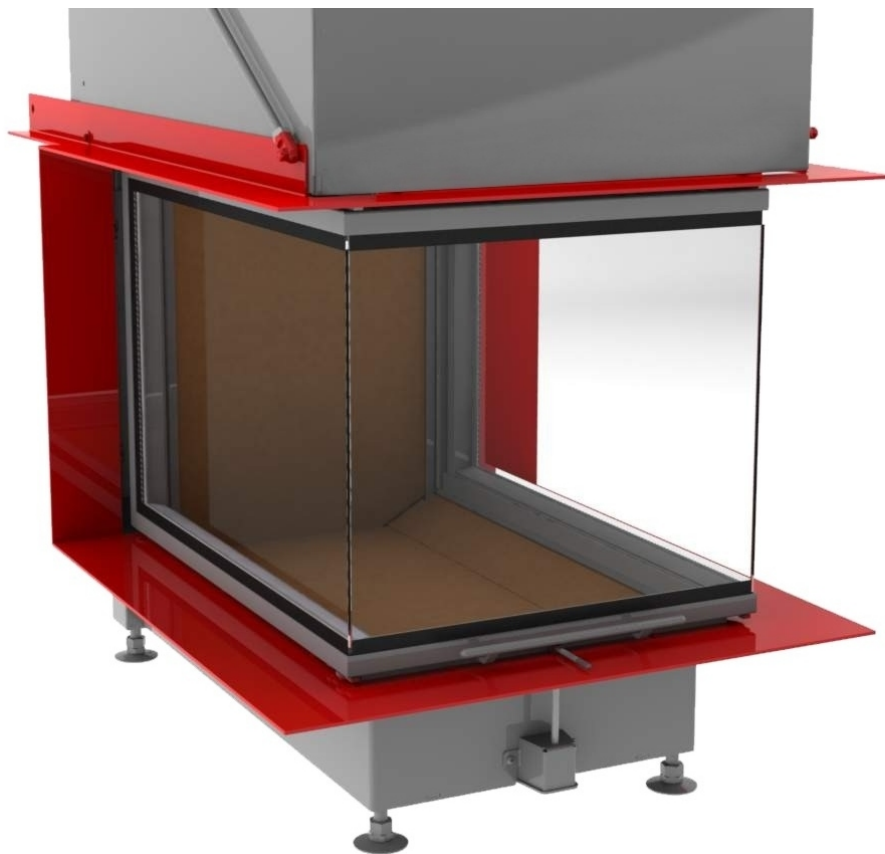


**BRUNNER**<sup>®</sup>  
*made in germany.*

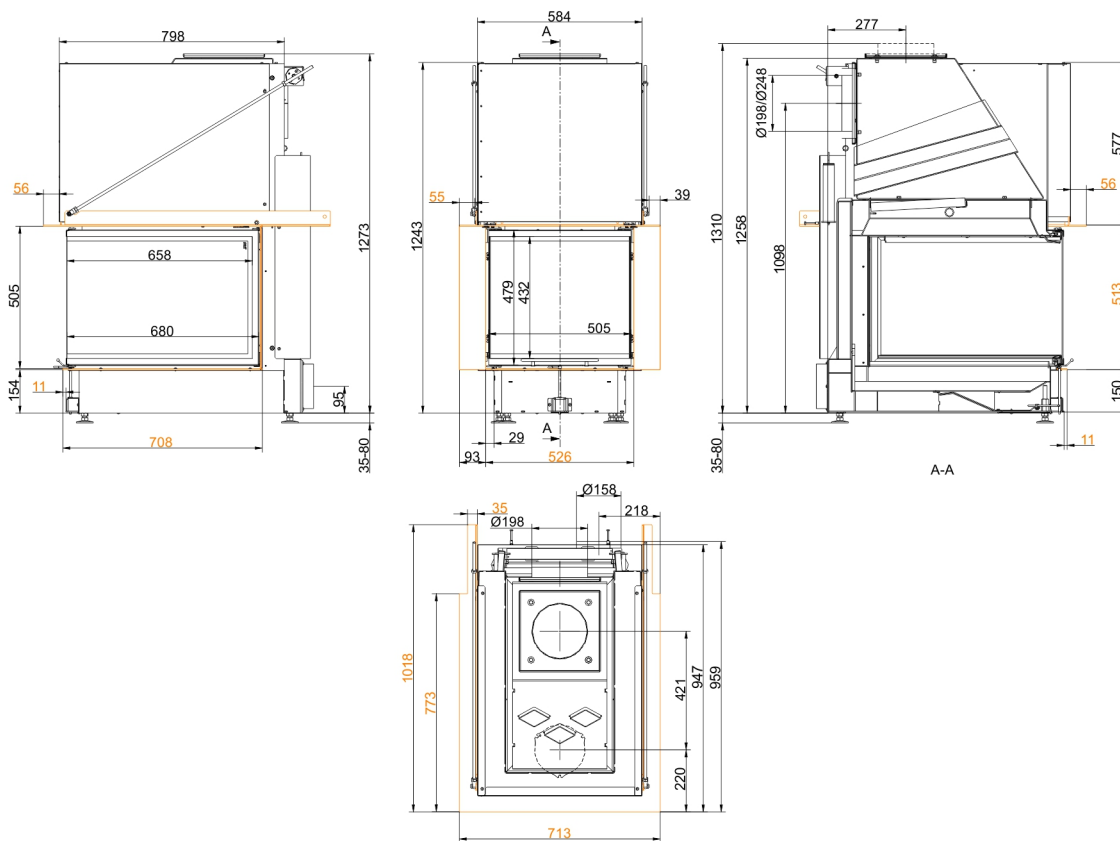
# Dimension sheets - Panorama-Kamin 51/66/50/66



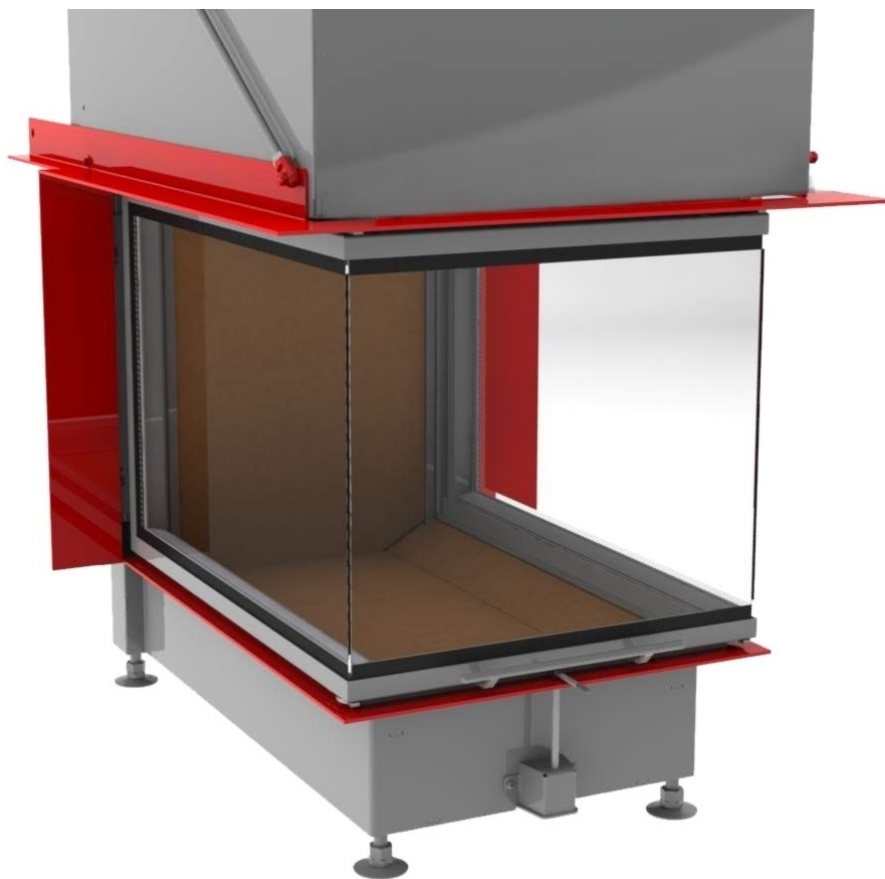
... with fire table



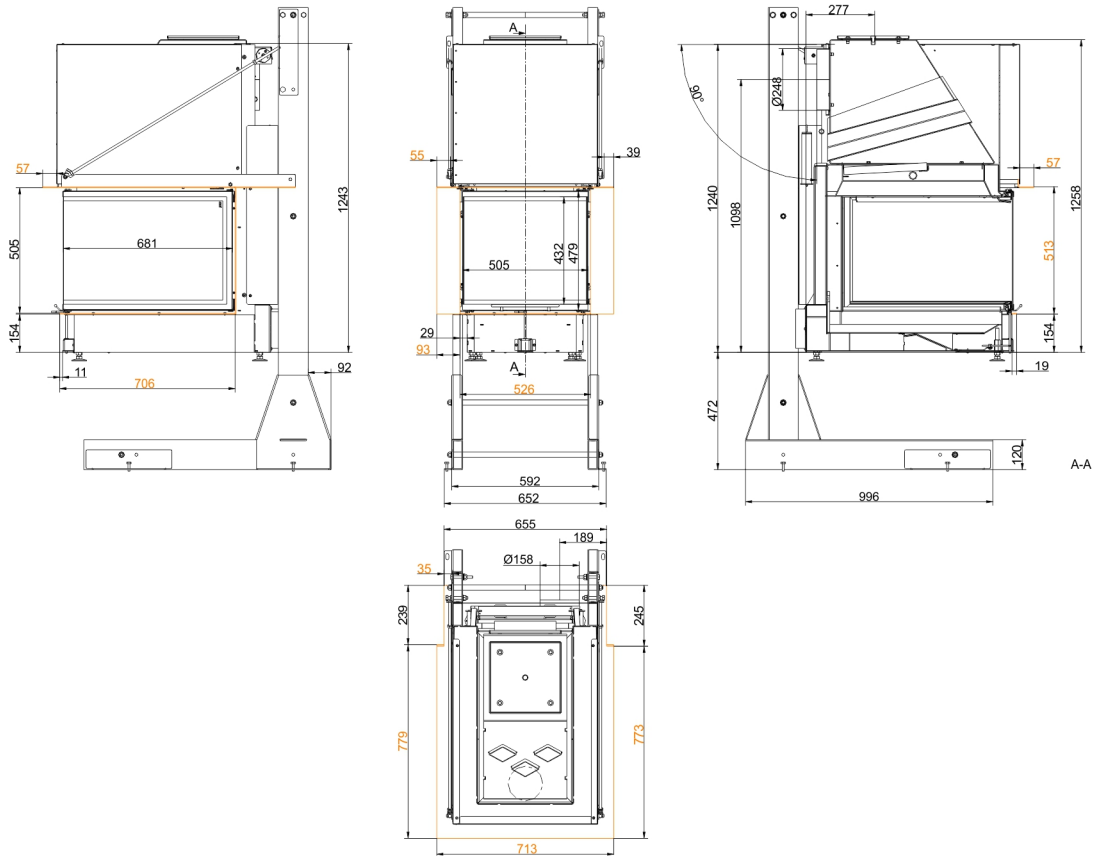
# Dimension sheets - Panorama-Kamin 51/66/50/66



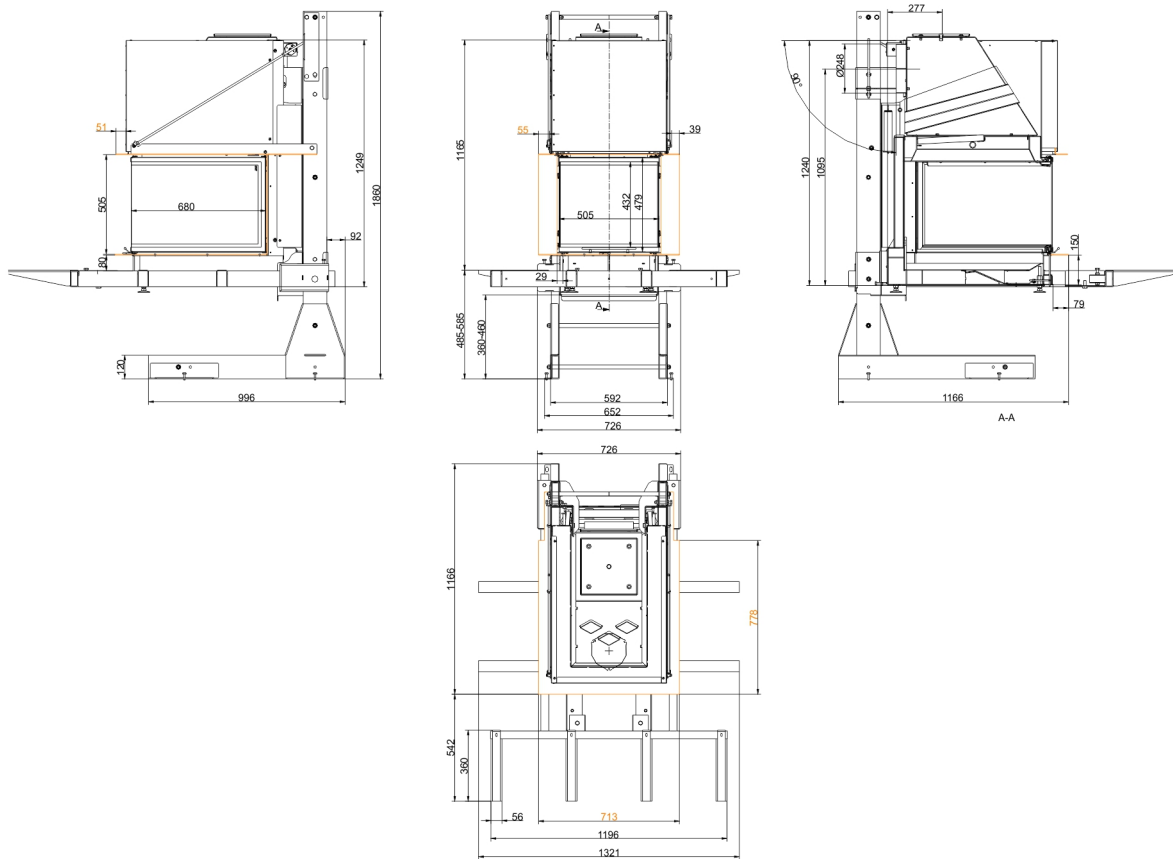
... with fire table mounting frame



# Dimension sheets - Panorama-Kamin 51/66/50/66



... with support frame



... with floating support frame

We suggest for CAD planing Palette CAD. Permanent updated drawings: [www.brunner.de](http://www.brunner.de)  
 Frames / front versions are marked colored.

## Planning and installation - Panorama-Kamin 51/66/50/66

Tested according to		EN 13229 W
Values measured at		Rated capacity
Suitable for all construction types according to rules		OK
EEl		111.6
<b>Data for functional demonstration</b>		
Rated heat power	kW	13
Fire wood volume	kg/h	4.1
Combustion performance	kW	17
Flue gas mass flow	g/s	12
Flue gas temperature after:		
attached steel smoke hood	°C	220
Necessary supply pressure	Pa	12
Combustion air consumption	m <sup>3</sup> /h	45
Combustion air connection Ø	mm	160
<b>Heat distribution</b>		
Insert / heat accumulator	%	50 / -
Glass pane (single / double)	%	50 / -
<b>Cross-section of gratings <sup>1)</sup></b>		
Convection air	cm <sup>2</sup>	1000 / - / -
Supply air	cm <sup>2</sup>	1000 / - / -
<b>Minimal oven surface for closed construction type</b>		
Heat dissipating surface	m <sup>2</sup>	4
<b>Min. distances of fireplace without / with convection casing</b>		
to insulation layer	cm	8
to mounting floor	cm	2
<b>Thermal insulation without / with air gratings <sup>2)</sup></b>		
Mounting wall	cm	16 / 12
Floor	cm	2 / 2
Ceiling	cm	25 / 18
Brick lining for combustible wall	cm	10
<b>Weight</b>		
Fireplace / combustion chamber	kg	235 / 45 / -
<b>Meets requirement/limit values for:</b>		
Germany/ Austria / Suisse / Norway		1.BImSchV (Stufe 2) / 15a BVG (2015) / LRV / NS 3059

1) for fireplace inserts / flue gas pipe / metallic reheating surface

2) Values determined with upper air sections; stove cladding is heat emitting.