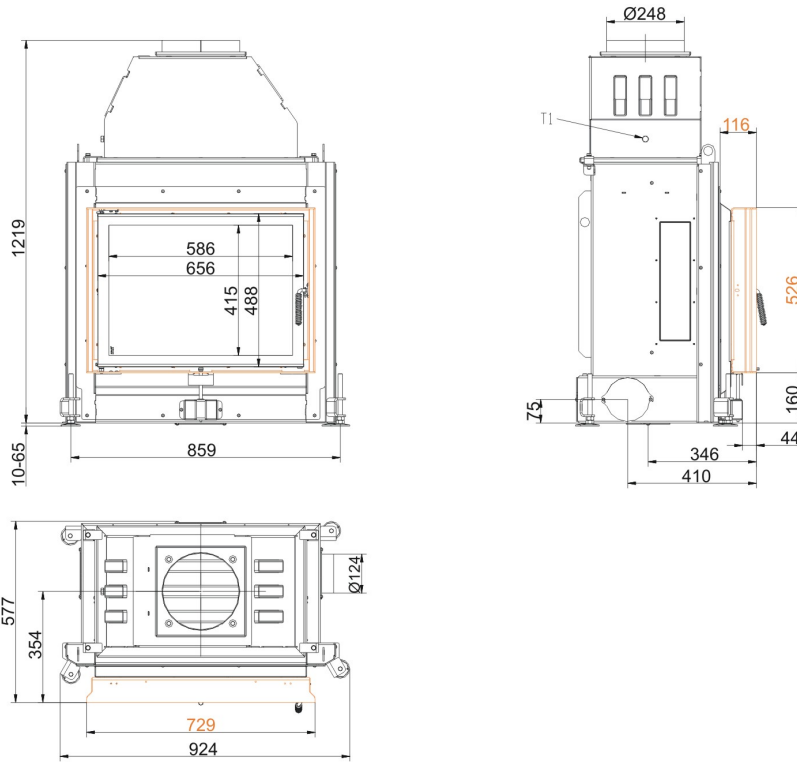
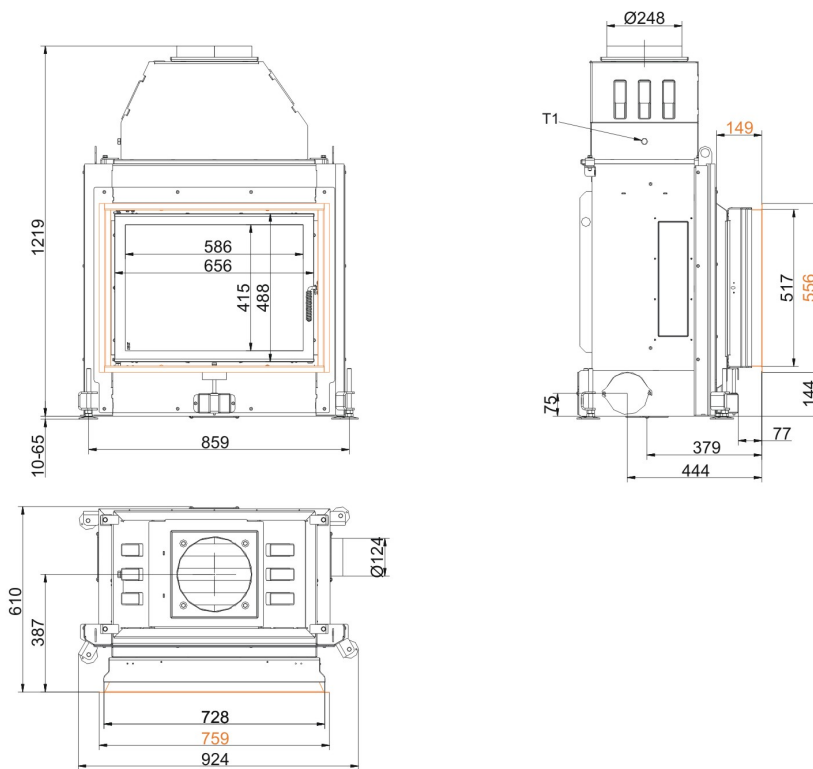


Dimension sheets - Stil-Kamin 51/67 side-opening door



... mounting frame



... with door frame

We suggest for CAD planing Palette CAD. Permanent updated drawings: www.brunner.de
 Frames / front versions are marked colored.

Tested according to		EN 13229 W	EN 13229 WA
Values measured at		Rated capacity	Accumulation
Suitable for all construction types according to rules		OK	OK
EEl		108.6	108.6
Data for functional demonstration			
Rated heat power	kW	11	-
Fire wood volume	kg/h	3.3	5
Combustion performance	kW	14	23
Flue gas mass flow	g/s	10.5	22
Flue gas temperature after:			
attached steel smoke hood	°C	190	250
Necessary supply pressure	Pa	13	13
Combustion air consumption	m ³ /h	40	50
Combustion air connection Ø	mm	125	125
Heat distribution			
Insert / heat accumulator	%	30 / 30	30 / 30
Glass pane (single / double)	%	40 / -	40 / -
Cross-section of gratings ¹⁾			
Supply air	cm ²	700 / 200 / -	700 / 200 / -
Warm air	cm ²	700 / 200 / -	700 / 200 / -
Minimal oven surface for closed construction type			
Heat dissipating surface	m ²	5.5	5.5
Minimal distances of the fireplace			
to insulation layer	cm	8	8
to mounting floor	cm	2	2
Thermal insulation without / with air gratings ²⁾			
Mounting wall	cm	18 / 14	18 / 14
Floor	cm	2	2
Ceiling	cm	28 / 20	28 / 20
Brick lining for combustible wall	cm	10	10
Weight			
Fireplace / combustion chamber	kg	154 / 79	
Meets requirement/limit values for:			
Germany/ Austria / Suisse / Norway		1.BImSchV (Stufe 2) / 15a BVG (2015) / LRV / NS 3059	

1) for fireplace inserts / flue gas pipe / metallic reheating surface

2) Values determined with upper air sections; stove cladding is heat emitting.